

Innovation Beyond Double Glazing

PLEASE NOTE: ALL WINDOWS AND DOORS WILL BE DELIVERED FULLY GLAZED AND THEREFORE MAY BE QUITE HEAVY. PLEASE ALLOW FOR ENOUGH MANPOWER OR LIFTING GEAR TO ENABLE THE WINDOWS TO BE OFF LOADED AND MANUOVERED INTO POSITION. ANY LIFTING GEAR OR CRANE IS THE RESPONSIBILITY OF THE CLIENT/INSTALLER AND IS **NOT** INCLUDED IN THE QUOTATION OR SUPPLIED BY MIGLAS



Please contact Miglas if you require further assistance

Miglas Australia Pty Ltd ABN:89 006 634 475

PO Box 32, Montrose, Victoria, 3765

Showroom: 57-59 Canterbury Rd, Montrose, Victoria, 3765

Telephone: 03 9728 3999

Email: Info@miglas.com.au

www.miglas.com.au

Disclaimer: Miglas is a company that prides itself on constant product development. Therefore the information contained in this literature are correct at the time of printing, but all designs & details are subject to change without notice. Please notify us if you have existing Miglas frames. We will do our best to match, but due to current changes this may not be possible.

Miglas Windows
Showroom & factory
57-59 Canterbury Rd
Montrose, Vic.

Tel: 9728 3999
Fax: 9728 3555
e: sales@miglas.com.au

PLEASE NOTE THAT ALL DETAILS &
DRAWINGS ARE SUBJECT TO
CHANGE WITHOUT NOTICE.

PLEASE CHECK WITH OUR OFFICE IF
ANYTHING SPECIFIC RELATES TO
YOUR INSTALLATION



Once you have chosen Miglas Innovative engineered products, you should ensure proper, well sealed installation to achieve the best results from your windows and doors. Miglas Windows have passed in excess of 2kpa of water pressure alone, so accurate, well sealed installation is essential.

We are at your service to suggest the best installation method for your construction, and the following pages are the most popular construction methods used in Australia.

In all cases, we recommend a 10mm gap between the windows and opening. This is so the gap between wall and window can be adequately caulked using a suitable sealant or mastic. This should be carried out according to the manufacturer's instructions and by a competent caulker to achieve the best results.

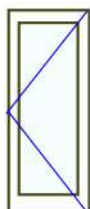
Where possible, the installation should be left as late as possible in the building programme to reduce the risk of damage by falling debris or acid wash. This is standard practice around the rest of the world, as apart from serving as a template for other trades, there is no need for the windows to be in situ.

Please make sure the building envelope is water tight and the roof is in place BEFORE installation to avoid water damage to these windows

PLEASE MAKE SURE OF THE FOLLOWING:

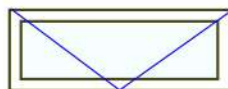
1. LARGE FIXED FRAMES NEED TO BE SUPPORTED BELOW THE GLASS LINE. **SEE MIG002**
2. BI-FOLD DOORS NEED TO BE FIXED TO A SUITABLE BEAM - ALL DOORS ARE TOP HUNG & ANY SAGGING IN THE HEAD WILL RESULT IN THE DOORS NOT OPERATING OR LOCKING CORRECTLY. **SEE MIG 011**
3. ALL DOORS NEED TO BE PLUMB VERTICALLY, HORIZONTALLY AND DIAGONALS EQUAL. FAILURE TO DO THIS ACCURATELY WILL RESULT IN THE LOCKING SYSTEMS NOT OPERATING CORRECTLY. **SEE MIG 009 & MIG 010**
4. SLIDING DOOR SILLS NEED TO BE SUPPORTED THE FULL LENGTH OF THE SILL TO AVOID TWISTING OR SAGGING. **SEE MIG 013.**
5. DO NOT LAY FRAMES FLAT ON THE GROUND. ALL FRAMES ARE TO BE STORED VERTICAL OR LEANING AGAINST A WALL AND SECURED.
6. ALL DESIGNS ARE SHOWN FROM THE OUTSIDE. WINDOWS & DOORS ARE SHOWN AS :
7. FIXING SCREWS TO BE EVERY 400mm CRS, OR AS PER YOUR STRUCTURAL ENGINEER'S DETAIL.

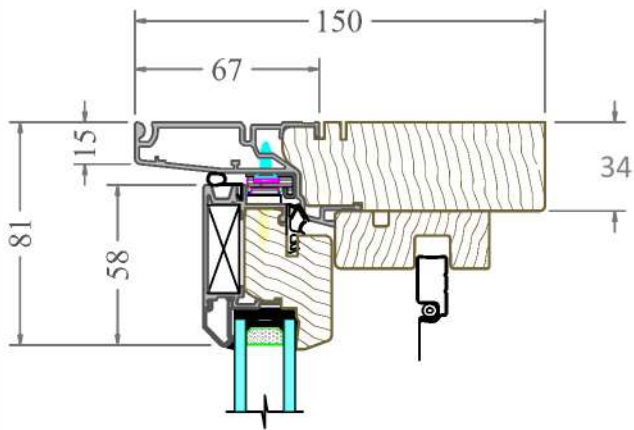
FAILURE TO COMPLY TO THE ABOVE MAY INVALIDATE ANY WARRANTIES



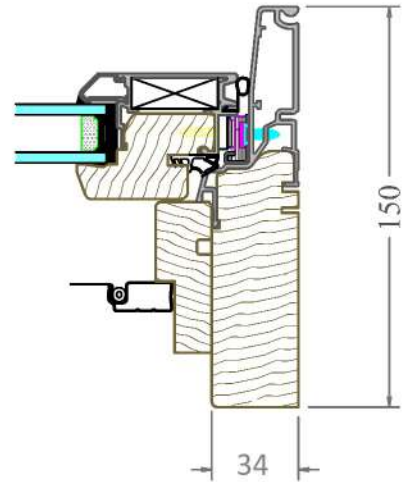
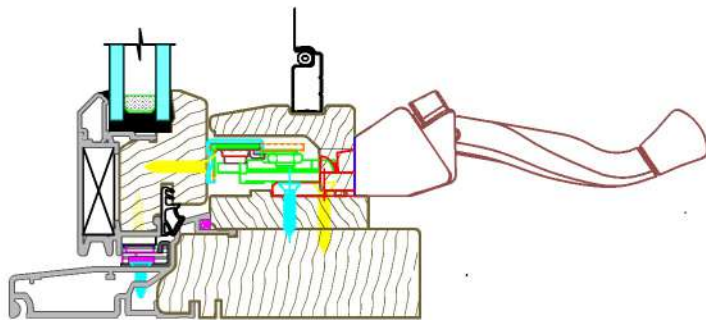
Hinge
Side

Hinge
Side

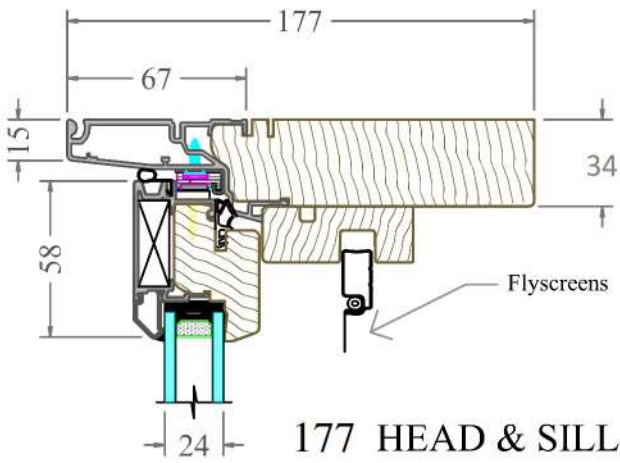




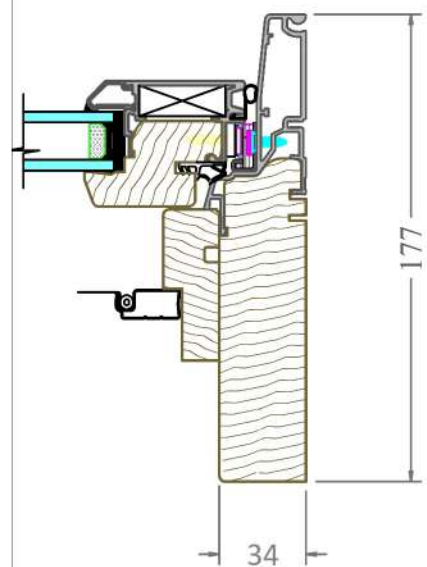
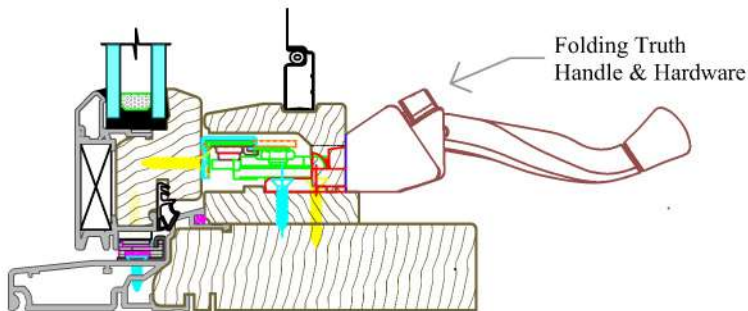
150 HEAD & SILL DETAIL



150 JAMB DETAIL



177 HEAD & SILL DETAIL



177 JAMB DETAIL



57-59 Canterbury Road, Montrose.
 P.O. Box 32, Montrose, VIC. 3765
 Telephone. (03) 9728 3999
 Facsimile... (03) 9728 3555
 Email. sales@miglas.com.au
 Web. www.miglas.com.au

DWG NUMBER

MIG001

THIS DRAWING IS THE PROPERTY OF MIGLAS AUSTRALIA PTY. LTD.
 THE INFORMATION THERE ON IS TO BE TREATED AS CONFIDENTIAL.
 IT IS NOT BE USED, COPIED WHOLLY OR IN PART, NOR DISCLOSED
 TO OUTSIDE PARTIES WITHOUT OUR PRIOR AUTHORITY IN WRITING

DETAIL

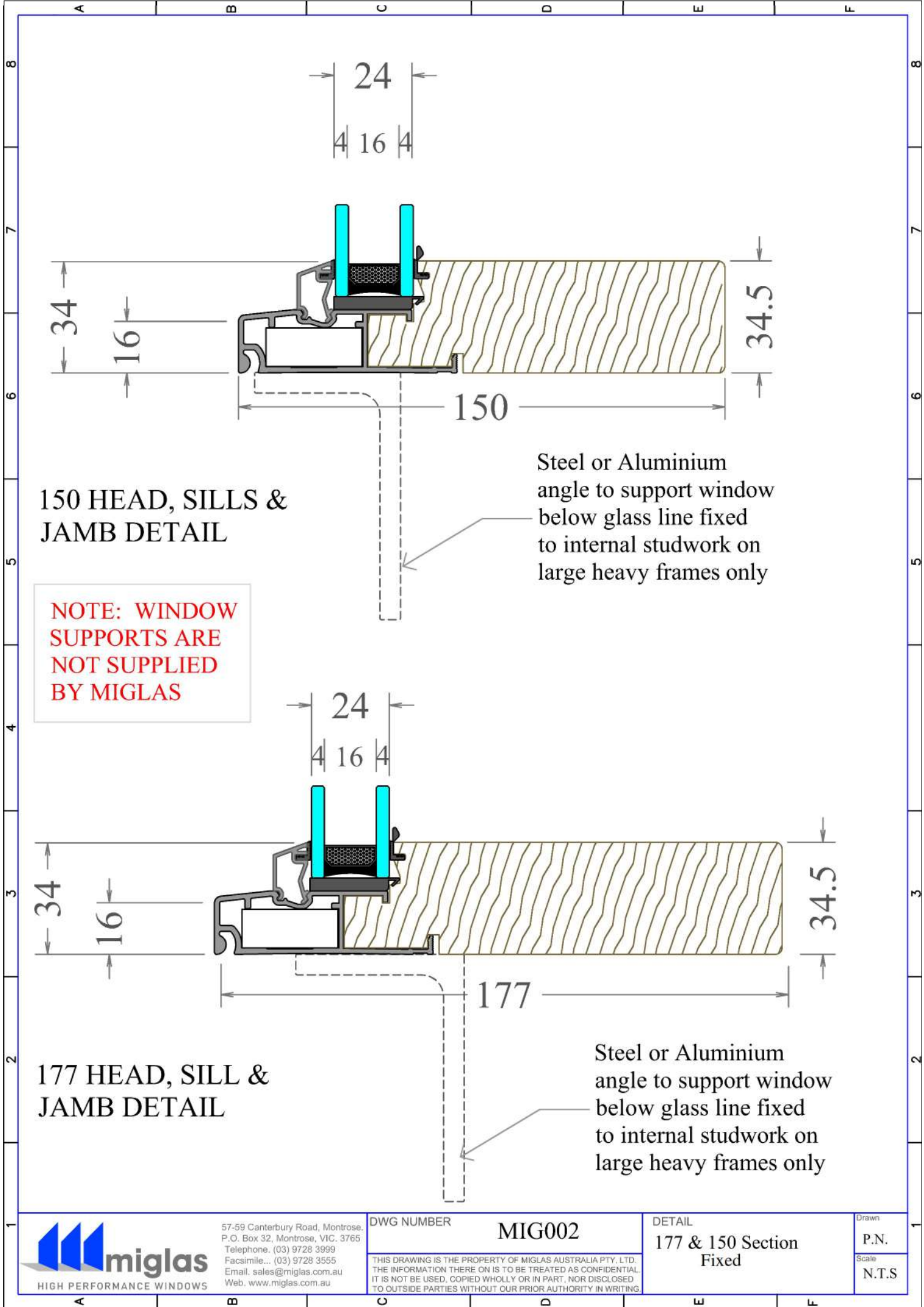
177 & 150 Section
 Casement & Awning

Drawn

P.N.

Scale

N.T.S.



150 HEAD, SILLS & JAMB DETAIL

NOTE: WINDOW SUPPORTS ARE NOT SUPPLIED BY MIGLAS

Steel or Aluminium angle to support window below glass line fixed to internal studwork on large heavy frames only

177 HEAD, SILL & JAMB DETAIL

Steel or Aluminium angle to support window below glass line fixed to internal studwork on large heavy frames only

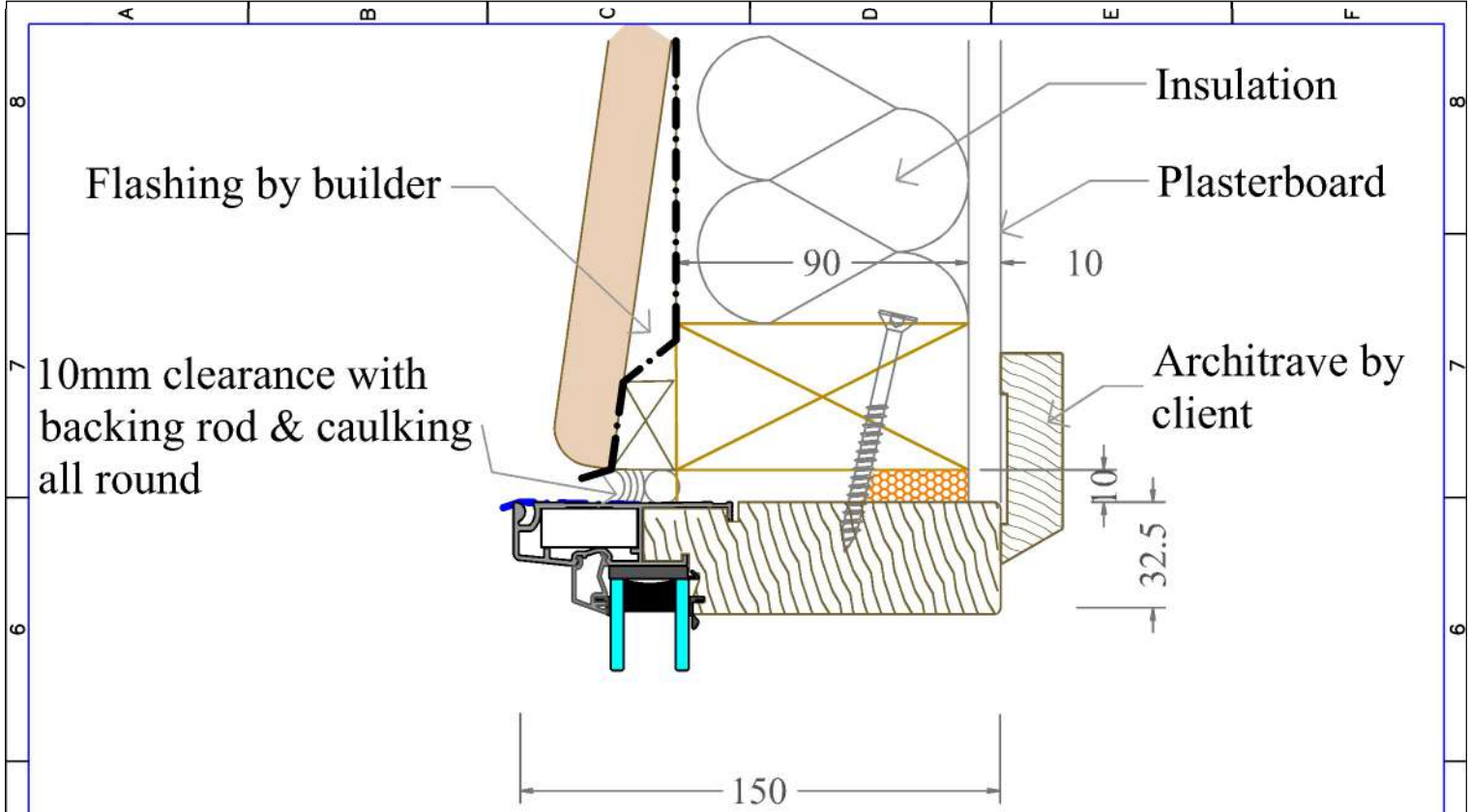


57-59 Canterbury Road, Montrose.
 P.O. Box 32, Montrose, VIC. 3765
 Telephone. (03) 9728 3999
 Facsimile... (03) 9728 3555
 Email. sales@miglas.com.au
 Web. www.miglas.com.au

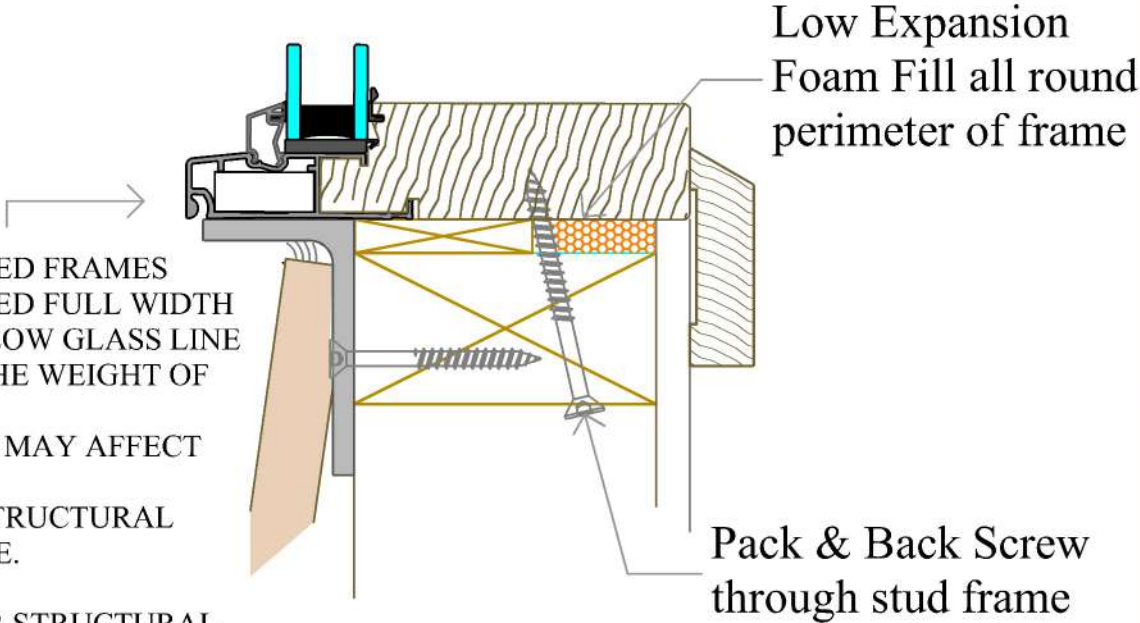
DWG NUMBER	MIG002
THIS DRAWING IS THE PROPERTY OF MIGLAS AUSTRALIA PTY. LTD. THE INFORMATION THERE ON IS TO BE TREATED AS CONFIDENTIAL. IT IS NOT BE USED, COPIED WHOLLY OR IN PART, NOR DISCLOSED TO OUTSIDE PARTIES WITHOUT OUR PRIOR AUTHORITY IN WRITING	

DETAIL	177 & 150 Section Fixed
--------	-------------------------

Drawn	P.N.
Scale	N.T.S



HEAD & SILL DETAIL



LARGE HEAVY FIXED FRAMES MUST BE SUPPORTED FULL WIDTH OF THE SILL, & BELOW GLASS LINE ENGINEERED TO THE WEIGHT OF YOUR FRAME. FAILURE TO DO SO MAY AFFECT YOUR WARRANTY. ILLUSTRATED IS STRUCTURAL ALUMINIUM ANGLE.

CHECK WITH YOUR STRUCTURAL ENGINEER AS TO ADEQUATE SIZE.

NOTE: WINDOW SUPPORTS ARE NOT SUPPLIED BY MIGLAS

JAMB DETAIL

This is a guide only & to be read in conjunction with AS 1288-2006 - Glass in Buildings-Selection & installation



57-59 Canterbury Road, Montrose.
P.O. Box 32, Montrose, VIC. 3765
Telephone. (03) 9728 3999
Facsimile... (03) 9728 3555
Email. sales@miglas.com.au
Web. www.miglas.com.au

DWG NUMBER

MIG003

DETAIL

150mm
Weatherboard

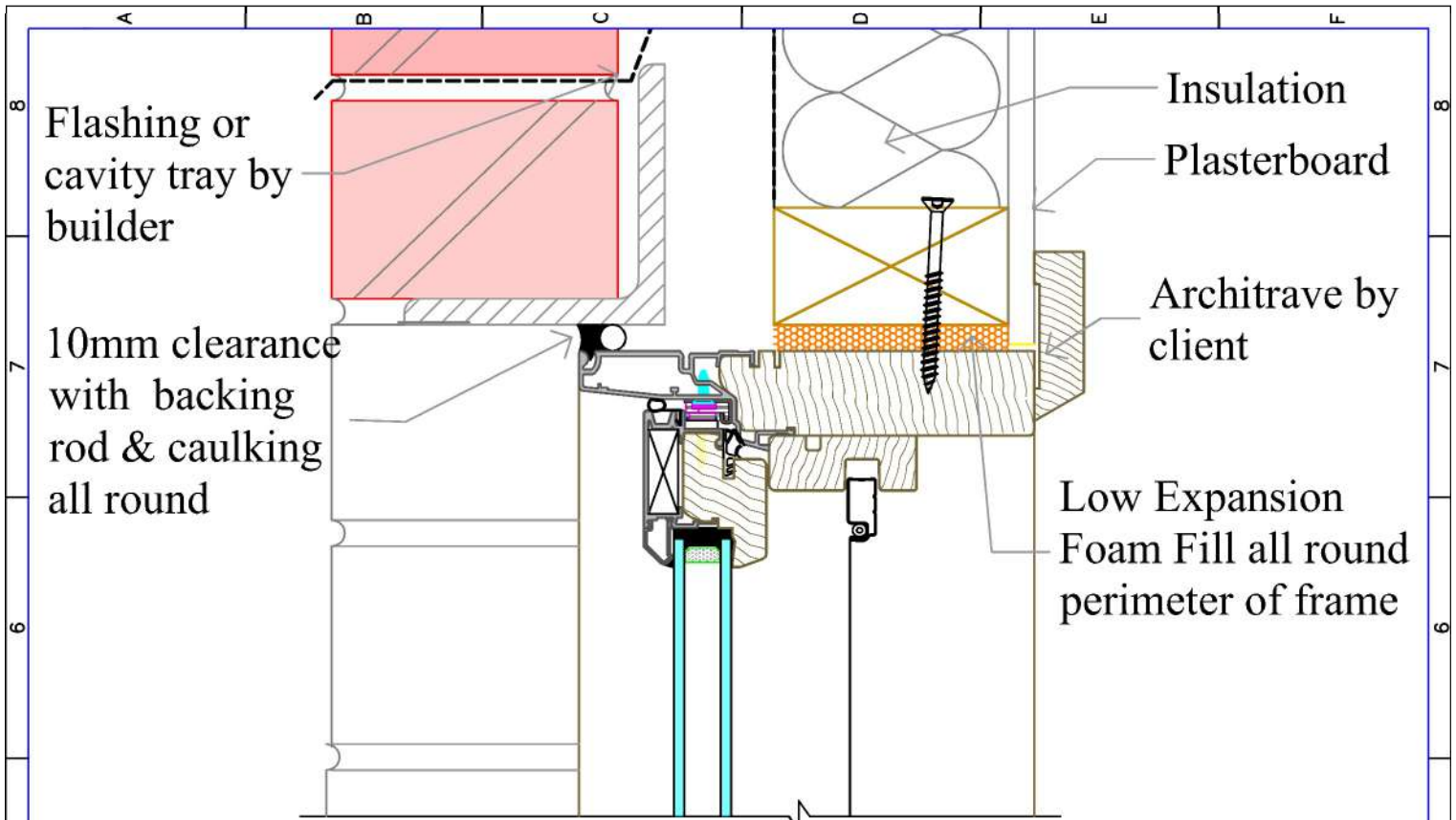
Drawn

P.N.

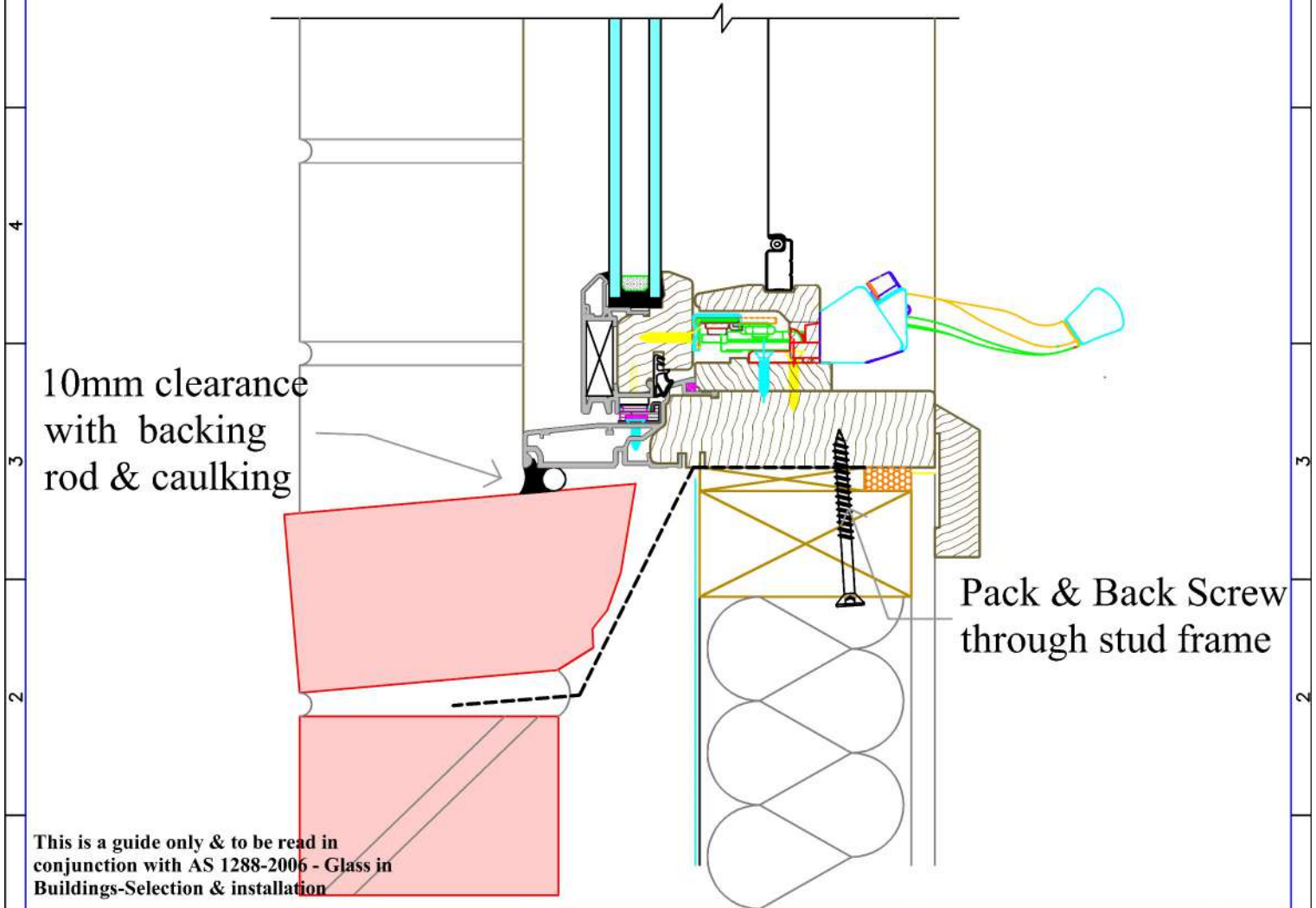
Scale

NTS

THIS DRAWING IS THE PROPERTY OF MIGLAS AUSTRALIA PTY. LTD. THE INFORMATION THERE ON IS TO BE TREATED AS CONFIDENTIAL. IT IS NOT BE USED, COPIED WHOLLY OR IN PART, NOR DISCLOSED TO OUTSIDE PARTIES WITHOUT OUR PRIOR AUTHORITY IN WRITING



HEAD & SILL DETAIL



This is a guide only & to be read in conjunction with AS 1288-2006 - Glass in Buildings-Selection & installation



57-59 Canterbury Road, Montrose,
P.O. Box 32, Montrose, VIC. 3765
Telephone. (03) 9728 3999
Facsimile... (03) 9728 3555
Email. sales@miglas.com.au
Web. www.miglas.com.au

DWG NUMBER

MIG004

DETAIL

**177 mm Frame
Brick Veneer**

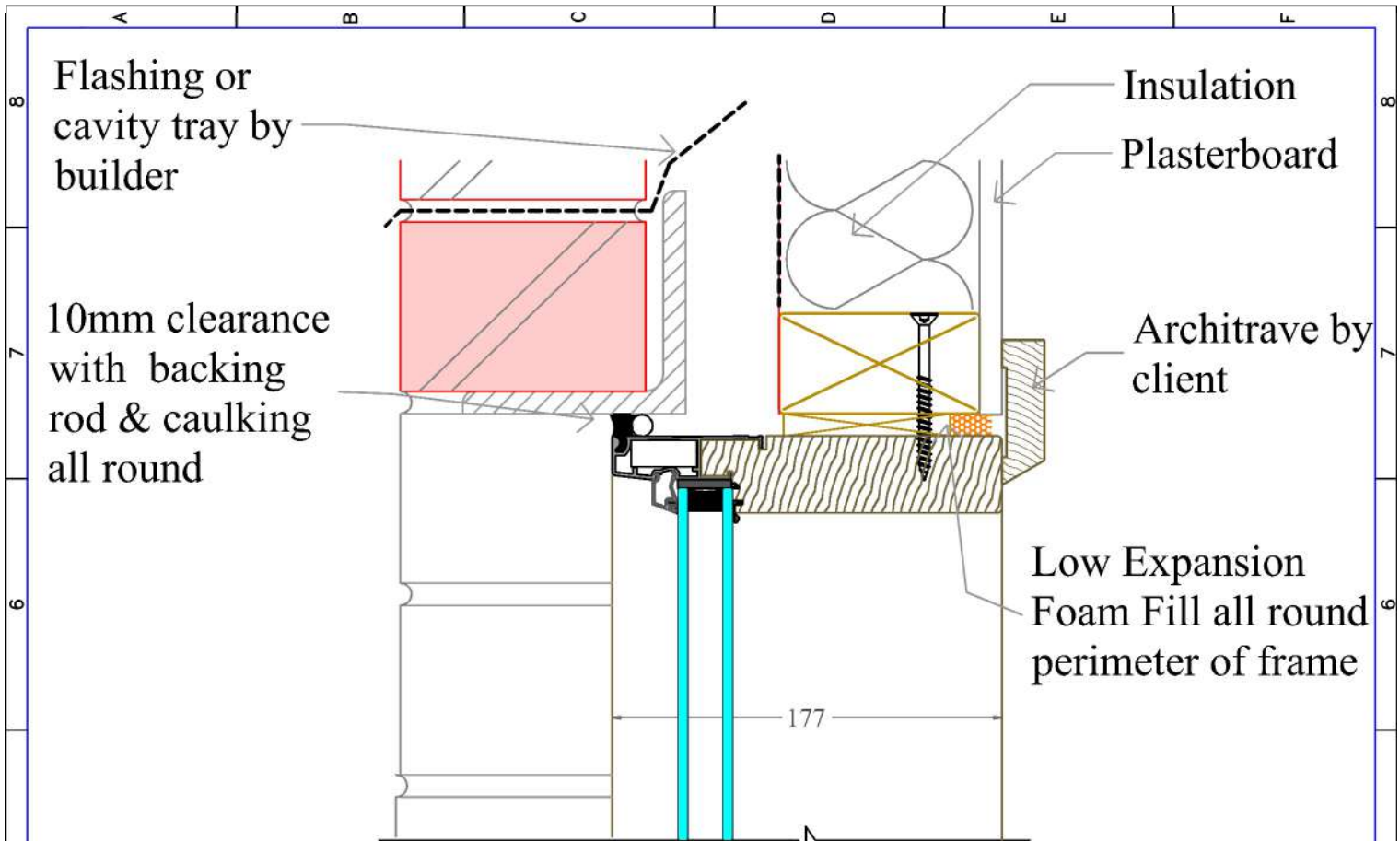
Drawn

P.N.

Scale

NTS

THIS DRAWING IS THE PROPERTY OF MIGLAS AUSTRALIA PTY. LTD.
THE INFORMATION THERE ON IS TO BE TREATED AS CONFIDENTIAL.
IT IS NOT BE USED, COPIED WHOLLY OR IN PART, NOR DISCLOSED
TO OUTSIDE PARTIES WITHOUT OUR PRIOR AUTHORITY IN WRITING



HEAD & SILL DETAIL

LARGE HEAVY FIXED FRAMES MUST BE SUPPORTED FULL WIDTH OF THE SILL, & BELOW GLASS LINE ENGINEERED TO THE WEIGHT OF YOUR FRAME. FAILURE TO DO SO MAY AFFECT YOUR WARRANTY. ILLUSTRATED IS STRUCTURAL ALUMINIUM ANGLE.

CHECK WITH YOUR STRUCTURAL ENGINEER AS TO ADEQUATE SIZE.

NOTE: WINDOW SUPPORTS ARE NOT SUPPLIED BY MIGLAS

This is a guide only & to be read in conjunction with AS 1288-2006 - Glass in Buildings-Selection & installation

Pack & Back Screw through stud frame



57-59 Canterbury Road, Montrose.
P.O. Box 32, Montrose, VIC. 3765
Telephone. (03) 9728 3999
Facsimile... (03) 9728 3555
Email. sales@miglas.com.au
Web. www.miglas.com.au

DWG NUMBER

MIG005

DETAIL

**177mm FIXED Frame
Brick Veneer**

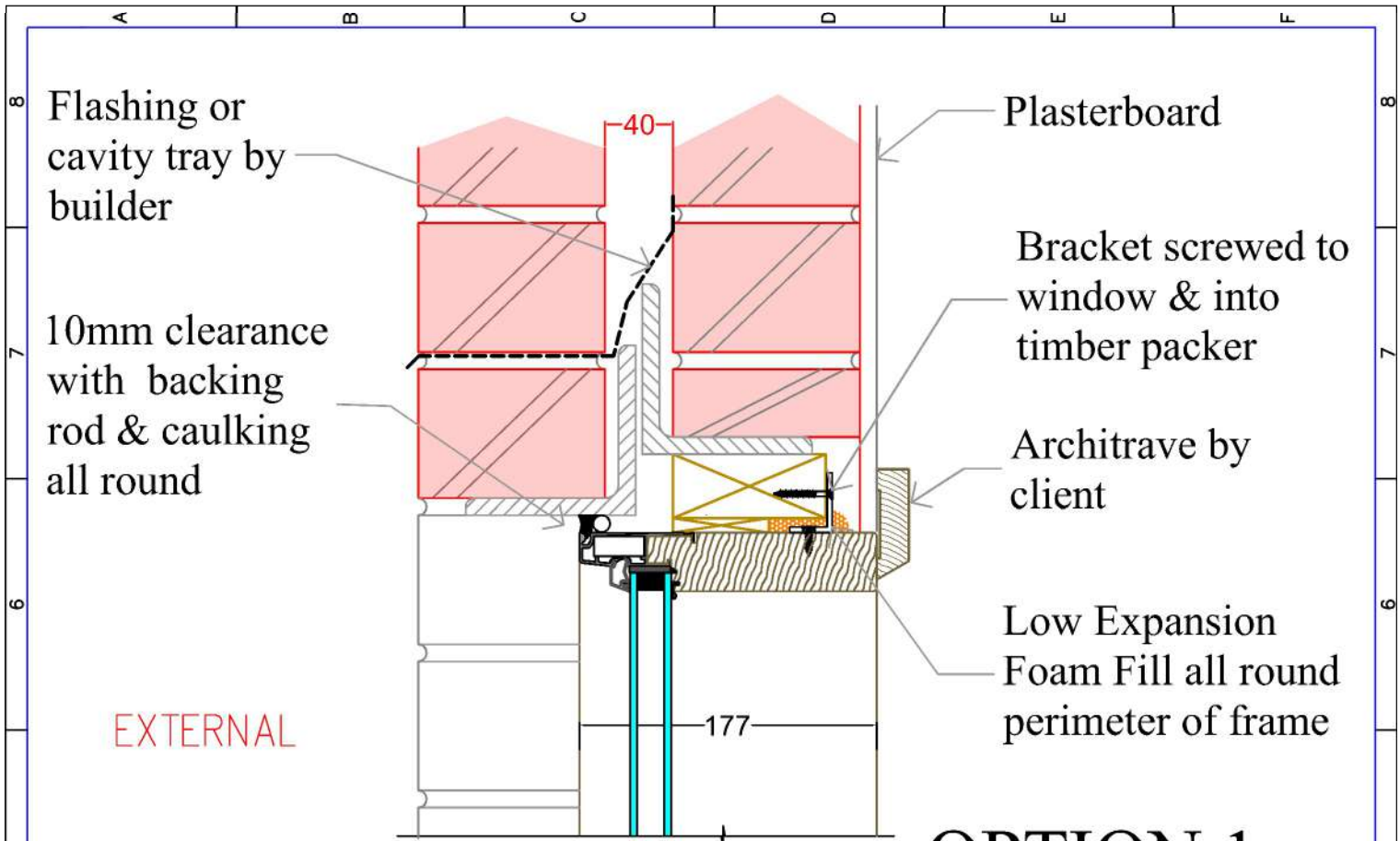
Drawn

P.N.

Scale

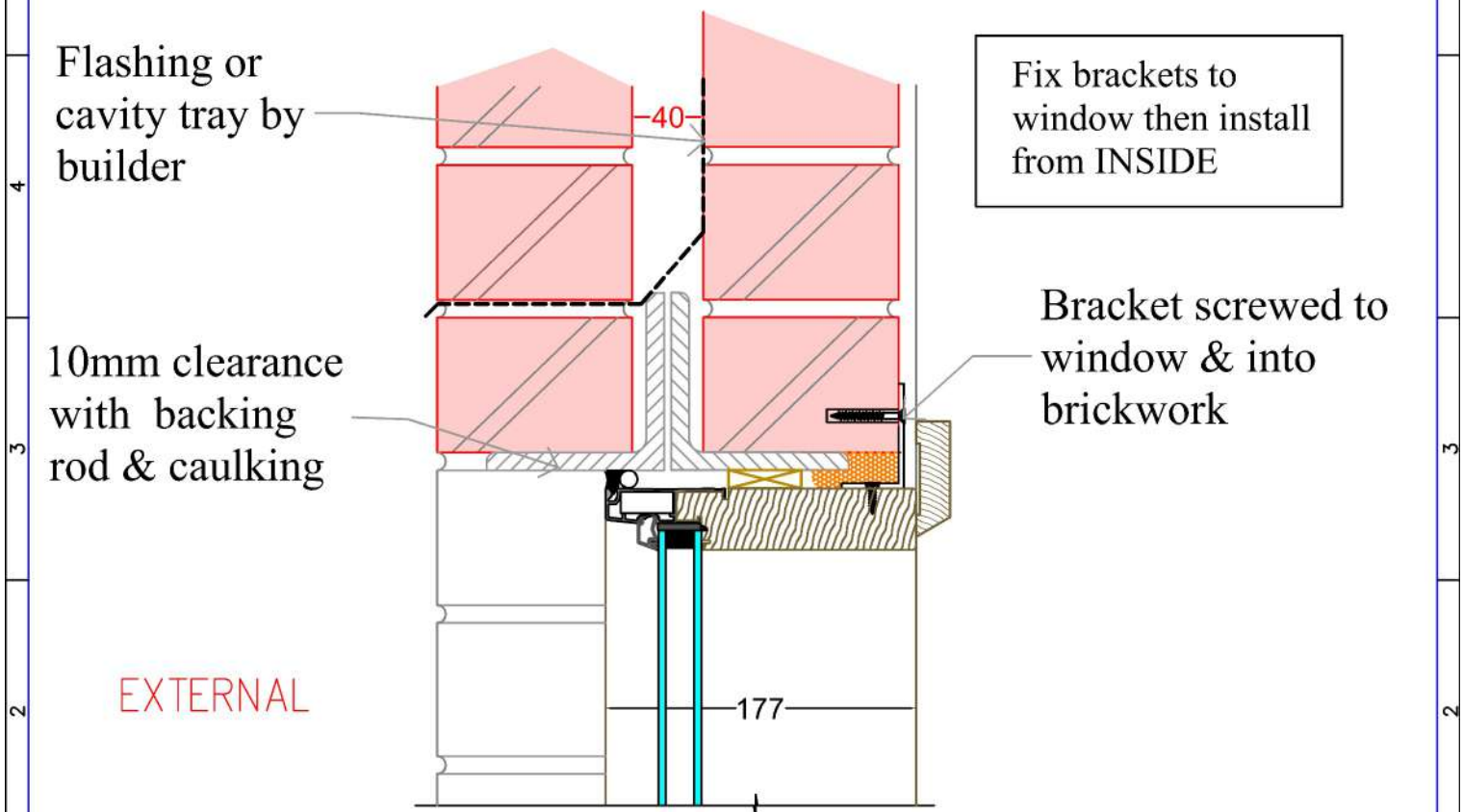
NTS

THIS DRAWING IS THE PROPERTY OF MIGLAS AUSTRALIA PTY. LTD. THE INFORMATION THERE ON IS TO BE TREATED AS CONFIDENTIAL. IT IS NOT BE USED, COPIED WHOLLY OR IN PART, NOR DISCLOSED TO OUTSIDE PARTIES WITHOUT OUR PRIOR AUTHORITY IN WRITING



HEAD DETAIL

OPTION 1



OPTION 2

Fix brackets to window then install from INSIDE

This is a guide only & to be read in conjunction with AS 1288-2006 - Glass in Buildings-Selection & installation



57-59 Canterbury Road, Montrose.
P.O. Box 32, Montrose, VIC. 3765
Telephone. (03) 9728 3999
Facsimile... (03) 9728 3555
Email. sales@miglas.com.au
Web. www.miglas.com.au

DWG NUMBER

MIG006

DETAIL

177mm Frame
Double Brick

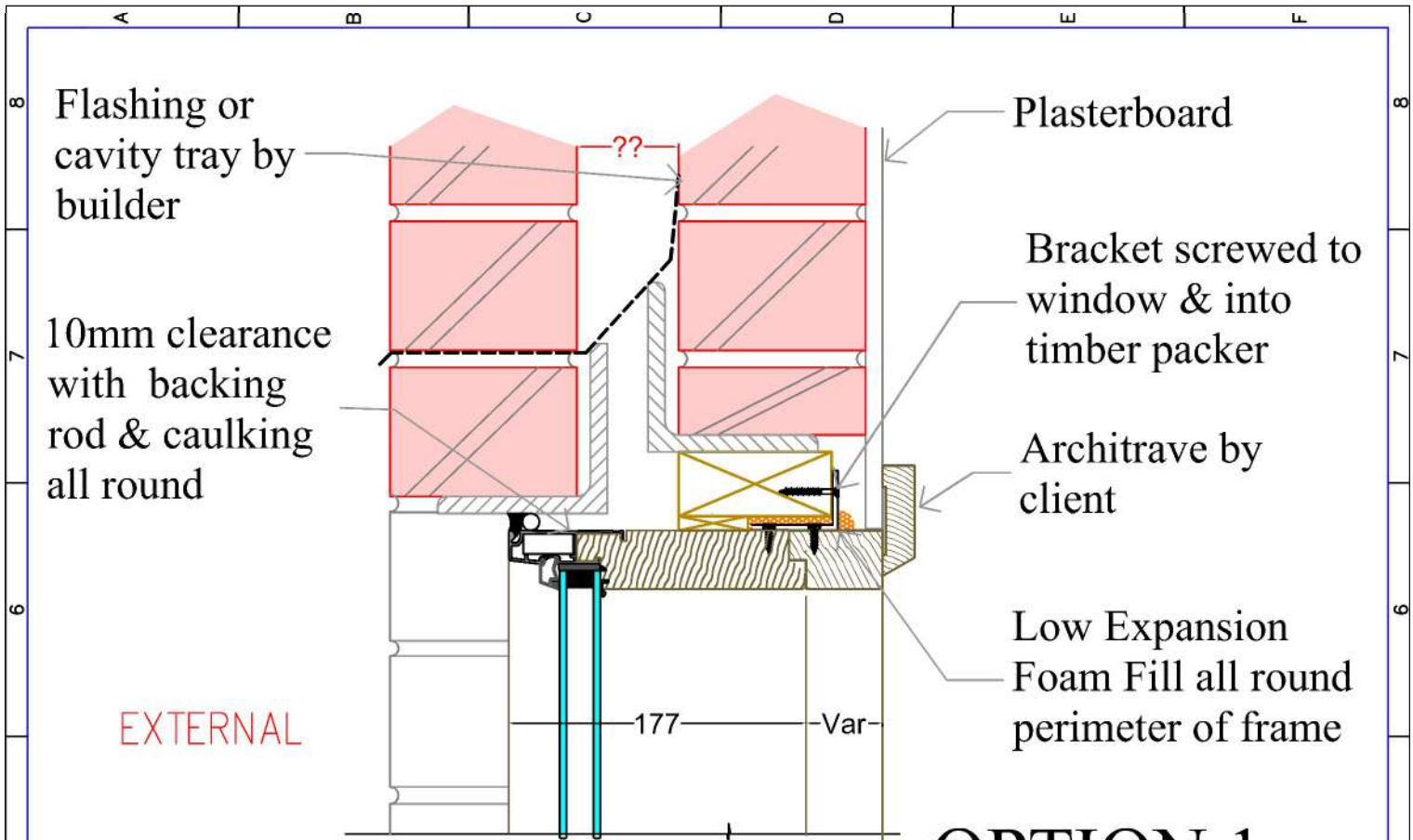
Drawn

P.N.

Scale

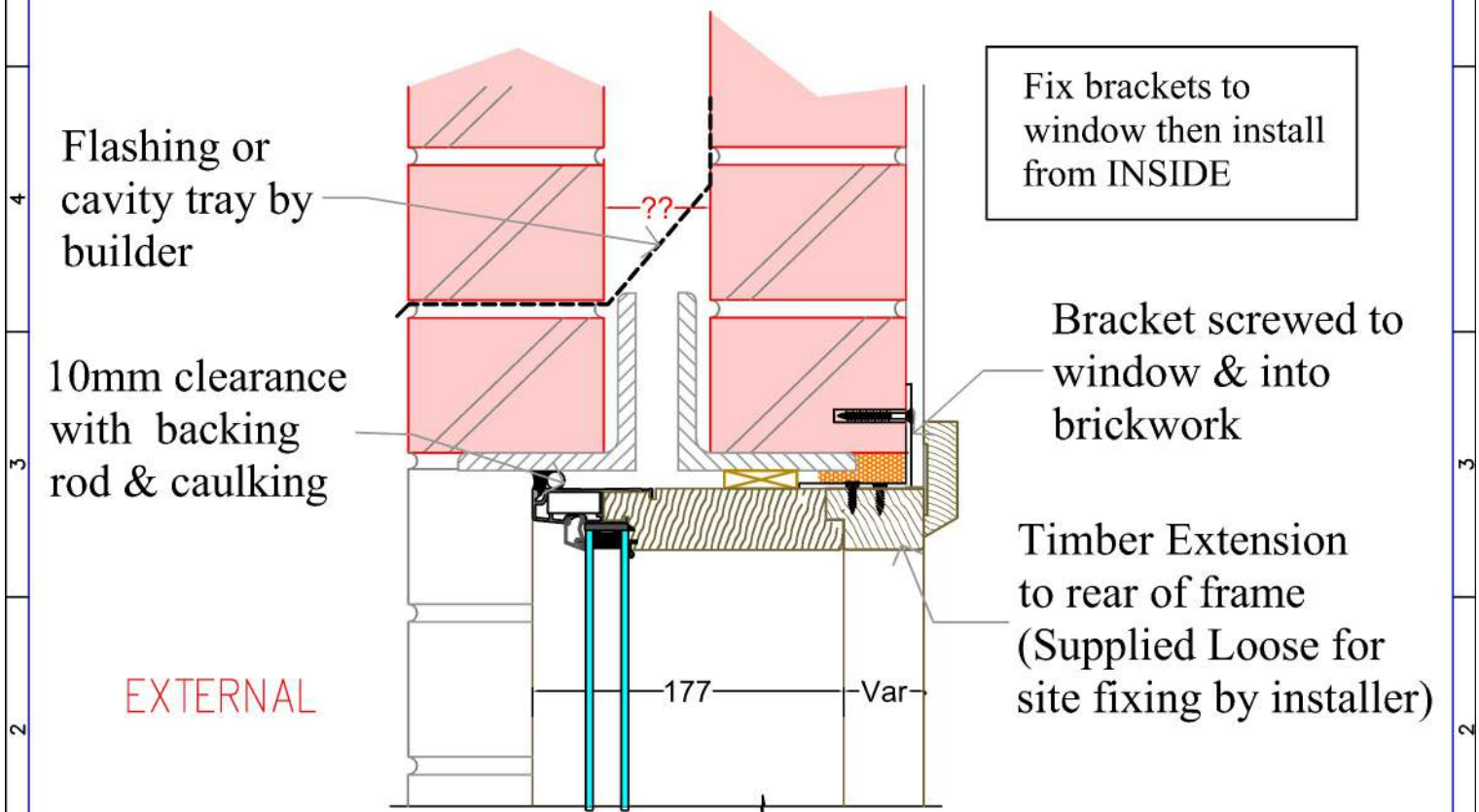
NTS

THIS DRAWING IS THE PROPERTY OF MIGLAS AUSTRALIA PTY. LTD.
THE INFORMATION THERE ON IS TO BE TREATED AS CONFIDENTIAL.
IT IS NOT BE USED, COPIED WHOLLY OR IN PART, NOR DISCLOSED
TO OUTSIDE PARTIES WITHOUT OUR PRIOR AUTHORITY IN WRITING



HEAD DETAIL

OPTION 1



OPTION 2

This is a guide only & to be read in conjunction with AS 1288-2006 - Glass in Buildings-Selection & installation



57-59 Canterbury Road, Montrose.
P.O. Box 32, Montrose, VIC. 3765
Telephone. (03) 9728 3999
Facsimile... (03) 9728 3555
Email. sales@miglas.com.au
Web. www.miglas.com.au

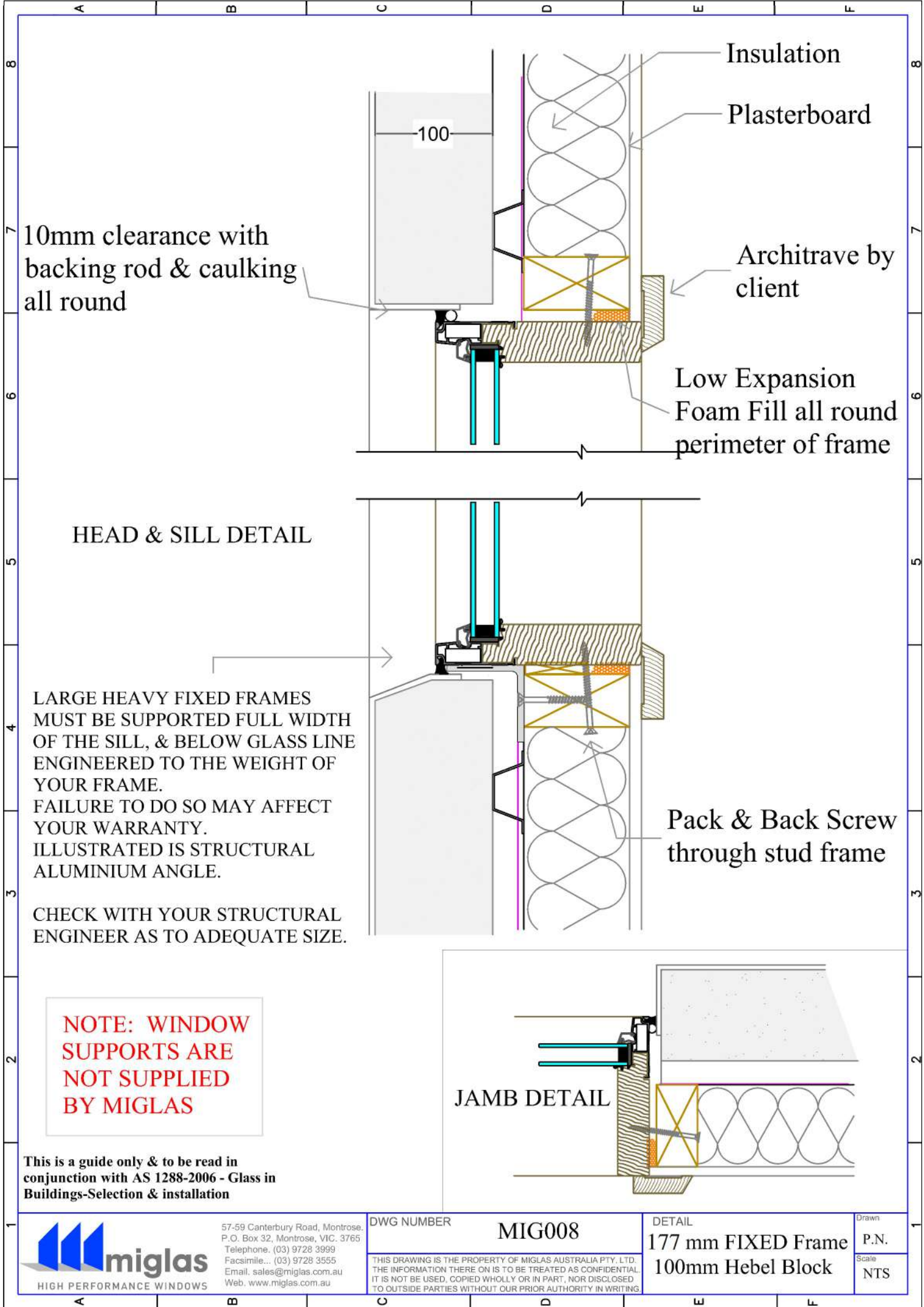
DWG NUMBER

MIG007

THIS DRAWING IS THE PROPERTY OF MIGLAS AUSTRALIA PTY. LTD. THE INFORMATION THERE ON IS TO BE TREATED AS CONFIDENTIAL. IT IS NOT BE USED, COPIED WHOLLY OR IN PART, NOR DISCLOSED TO OUTSIDE PARTIES WITHOUT OUR PRIOR AUTHORITY IN WRITING

DETAIL 177mm Frame
DBL BRICK WIDE
CAVITY

Drawn
P.N.
Scale
NTS



10mm clearance with backing rod & caulking all round

Insulation
Plasterboard

Architrave by client

Low Expansion Foam Fill all round perimeter of frame

HEAD & SILL DETAIL

LARGE HEAVY FIXED FRAMES MUST BE SUPPORTED FULL WIDTH OF THE SILL, & BELOW GLASS LINE ENGINEERED TO THE WEIGHT OF YOUR FRAME.
FAILURE TO DO SO MAY AFFECT YOUR WARRANTY.
ILLUSTRATED IS STRUCTURAL ALUMINIUM ANGLE.

CHECK WITH YOUR STRUCTURAL ENGINEER AS TO ADEQUATE SIZE.

Pack & Back Screw through stud frame

NOTE: WINDOW SUPPORTS ARE NOT SUPPLIED BY MIGLAS

JAMB DETAIL

This is a guide only & to be read in conjunction with AS 1288-2006 - Glass in Buildings-Selection & installation



57-59 Canterbury Road, Montrose.
P.O. Box 32, Montrose, VIC. 3765
Telephone. (03) 9728 3999
Facsimile... (03) 9728 3555
Email. sales@miglas.com.au
Web. www.miglas.com.au

DWG NUMBER

MIG008

DETAIL

**177 mm FIXED Frame
100mm Hebel Block**

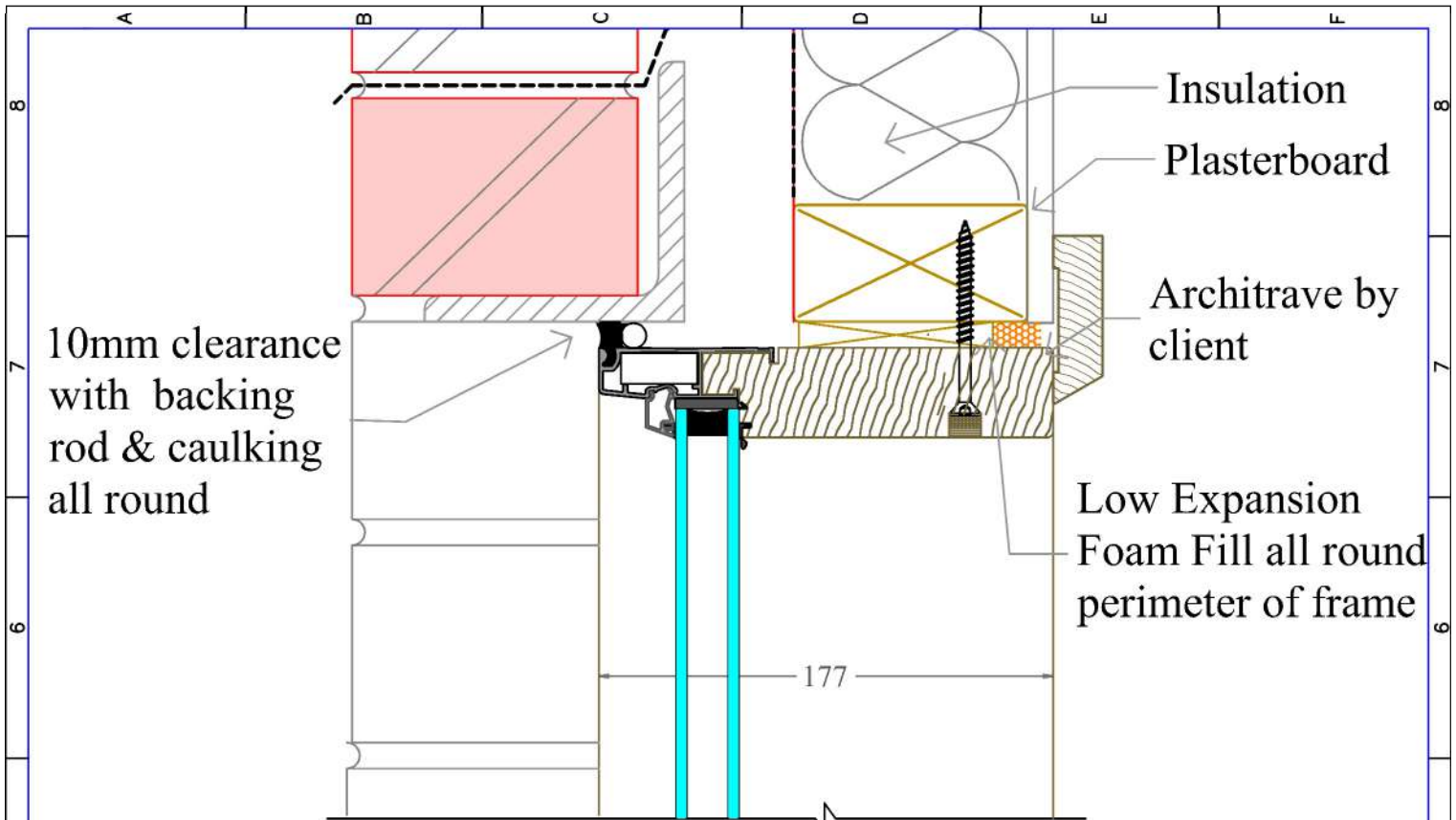
Drawn

P.N.

Scale

NTS

THIS DRAWING IS THE PROPERTY OF MIGLAS AUSTRALIA PTY. LTD. THE INFORMATION THERE ON IS TO BE TREATED AS CONFIDENTIAL. IT IS NOT BE USED, COPIED WHOLLY OR IN PART, NOR DISCLOSED TO OUTSIDE PARTIES WITHOUT OUR PRIOR AUTHORITY IN WRITING



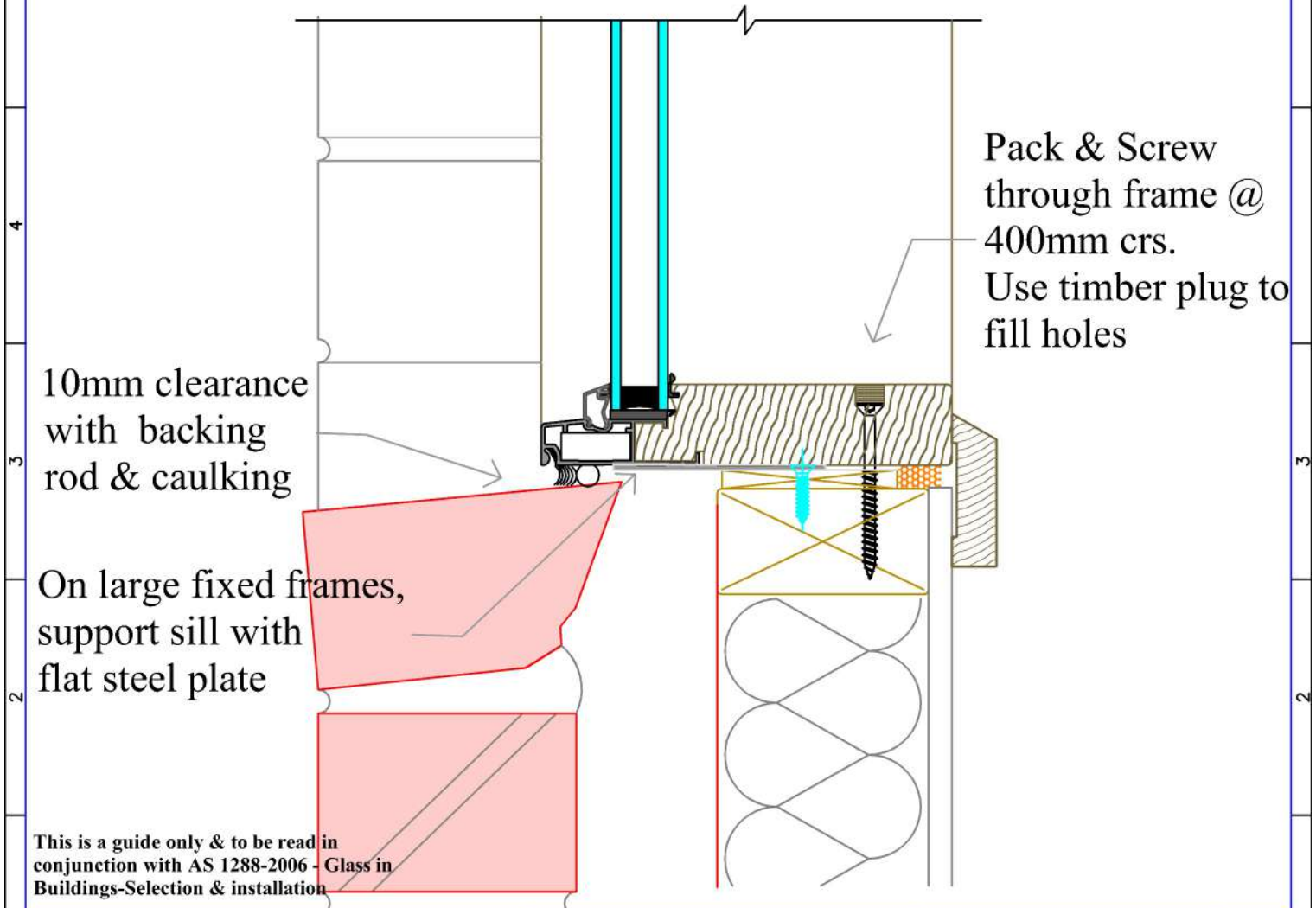
10mm clearance with backing rod & caulking all round

Insulation
Plasterboard
Architrave by client

Low Expansion Foam Fill all round perimeter of frame

177

HEAD & SILL DETAIL



10mm clearance with backing rod & caulking

Pack & Screw through frame @ 400mm crs.
Use timber plug to fill holes

On large fixed frames, support sill with flat steel plate

This is a guide only & to be read in conjunction with AS 1288-2006 - Glass in Buildings-Selection & installation



57-59 Canterbury Road, Montrose.
P.O. Box 32, Montrose, VIC. 3765
Telephone. (03) 9728 3999
Facsimile... (03) 9728 3555
Email. sales@miglas.com.au
Web. www.miglas.com.au

DWG NUMBER

MIG008a

DETAIL

Retro Fitting or fitting into steel frames

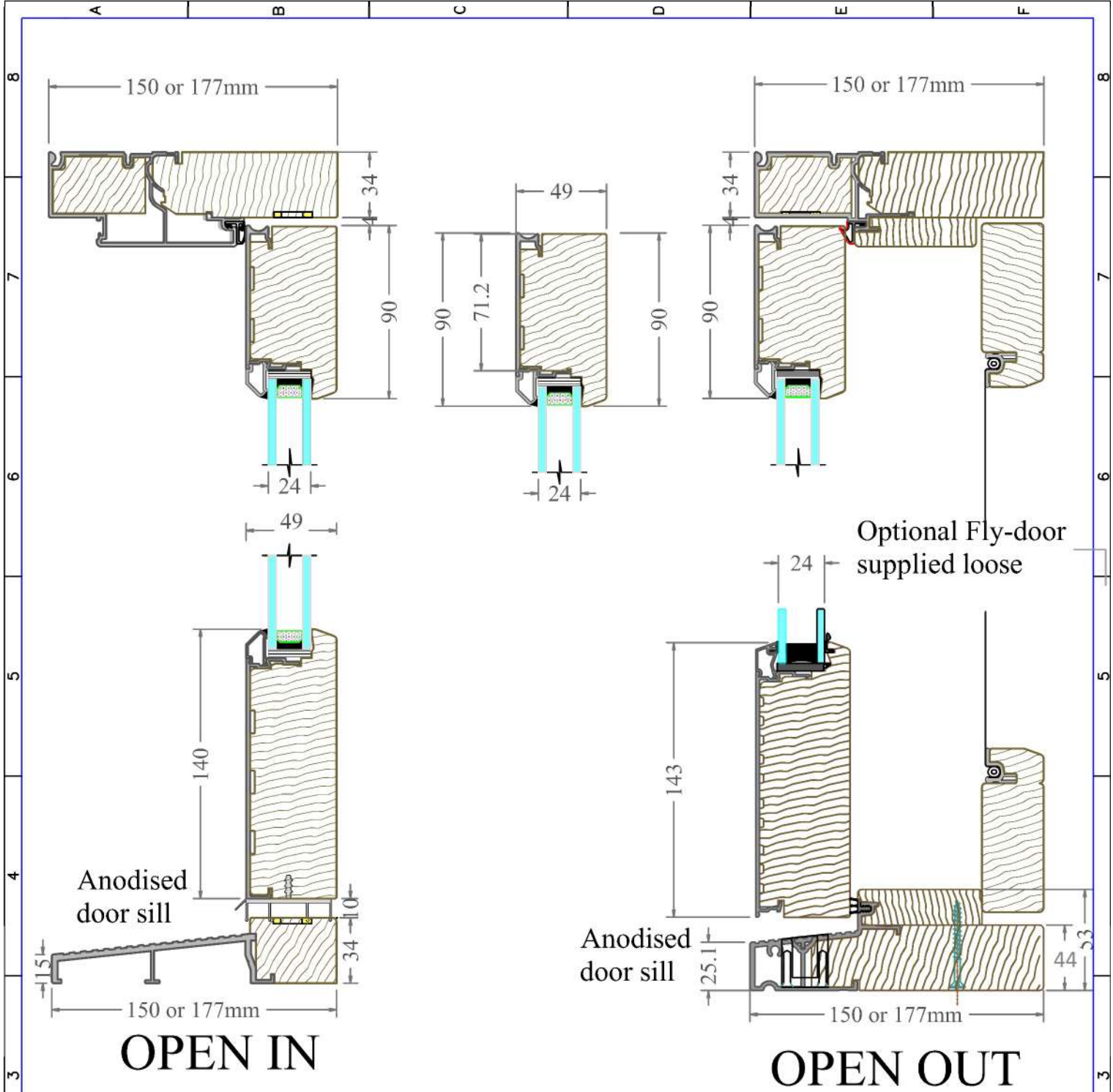
Drawn

P.N.

Scale

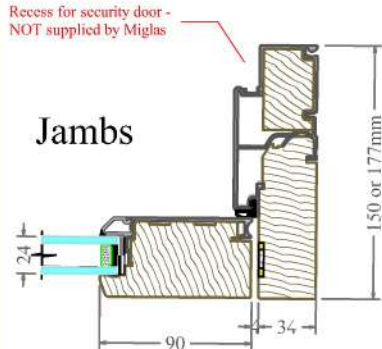
NTS

THIS DRAWING IS THE PROPERTY OF MIGLAS AUSTRALIA PTY. LTD. THE INFORMATION THERE ON IS TO BE TREATED AS CONFIDENTIAL. IT IS NOT BE USED, COPIED WHOLLY OR IN PART, NOR DISCLOSED TO OUTSIDE PARTIES WITHOUT OUR PRIOR AUTHORITY IN WRITING



OPEN IN

OPEN OUT



FIXING METHODS SAME AS WINDOWS

PLEASE ENSURE THAT FRAMES ARE PLUMB AND DIAGONALS ARE EQUAL BEFORE FINAL FIXING. FAILURE TO COMPLY MAY RESULT IN THE DOOR NOT LOCKING PROPERLY.

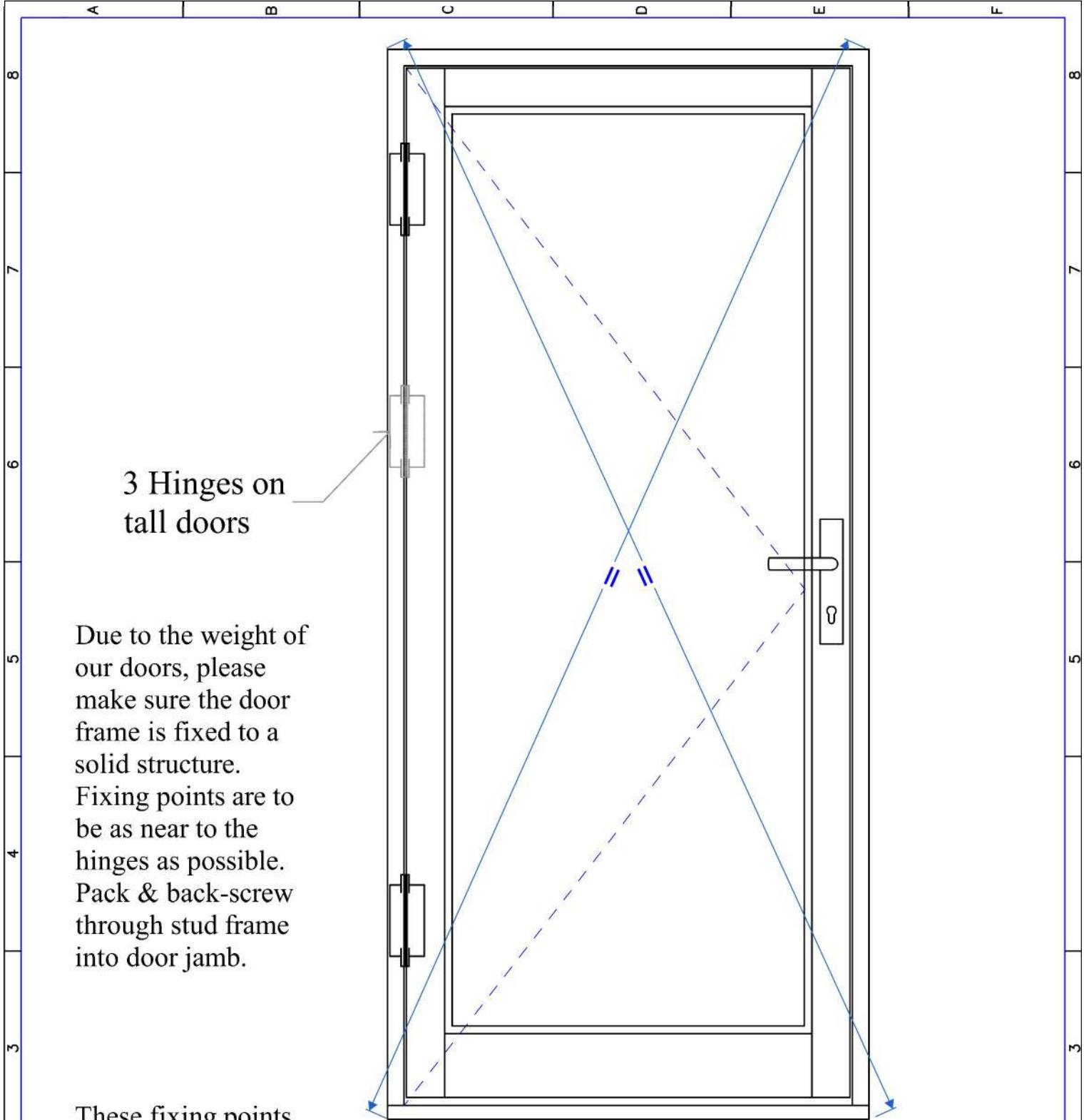
This is a guide only & to be read in conjunction with AS 1288-2006 - Glass in Buildings-Selection & installation



57-59 Canterbury Road, Montrose.
P.O. Box 32, Montrose, VIC. 3765
Telephone. (03) 9728 3999
Facsimile... (03) 9728 3555
Email. sales@miglas.com.au
Web. www.miglas.com.au

DWG NUMBER **MIG009**
THIS DRAWING IS THE PROPERTY OF MIGLAS AUSTRALIA PTY. LTD. THE INFORMATION THERE ON IS TO BE TREATED AS CONFIDENTIAL. IT IS NOT BE USED, COPIED WHOLLY OR IN PART, NOR DISCLOSED TO OUTSIDE PARTIES WITHOUT OUR PRIOR AUTHORITY IN WRITING

DETAIL
Hinged Door Sections
Drawn
P.N.
Scale
NTS



3 Hinges on tall doors

Due to the weight of our doors, please make sure the door frame is fixed to a solid structure. Fixing points are to be as near to the hinges as possible. Pack & back-screw through stud frame into door jamb.

These fixing points are in addition to other fixing points

FIXING METHODS SAME AS WINDOWS

PLEASE ENSURE THAT FRAMES ARE PLUMB AND DIAGONALS ARE EQUAL BEFORE FINAL FIXING. FAILURE TO COMPLY MAY RESULT IN THE DOOR NOT LOCKING PROPERLY.

This is a guide only & to be read in conjunction with AS 1288-2006 - Glass in Buildings-Selection & installation



57-59 Canterbury Road, Montrose.
 P.O. Box 32, Montrose, VIC. 3765
 Telephone. (03) 9728 3999
 Facsimile... (03) 9728 3555
 Email. sales@miglas.com.au
 Web. www.miglas.com.au

DWG NUMBER

MIG010

DETAIL

Hinged Door Fixing

Drawn

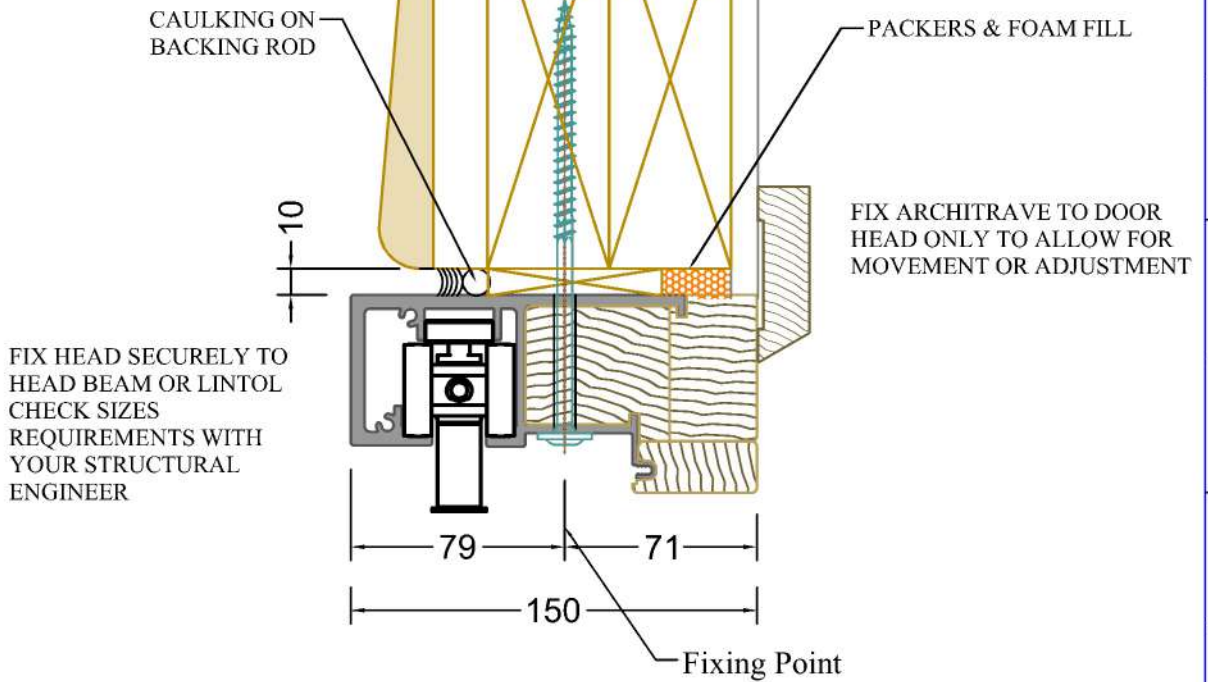
P.N.

Scale

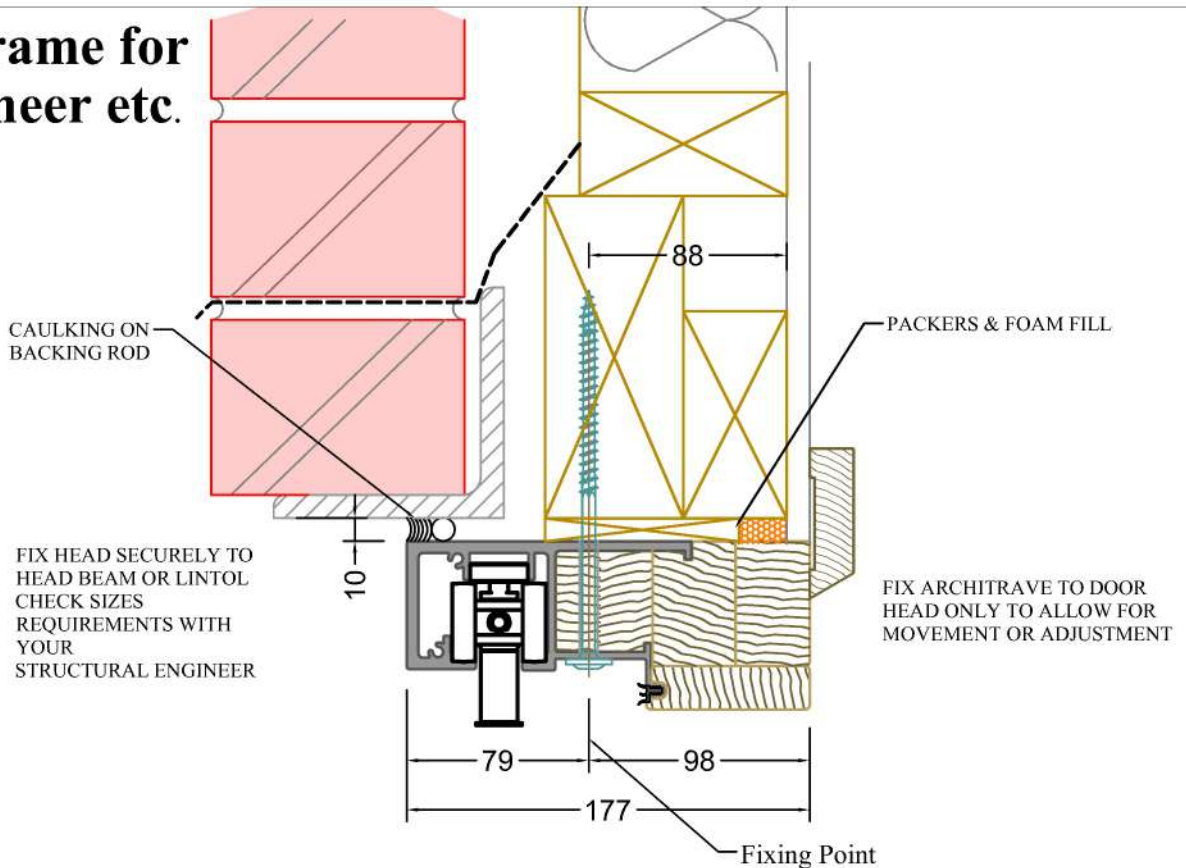
NTS

THIS DRAWING IS THE PROPERTY OF MIGLAS AUSTRALIA PTY. LTD. THE INFORMATION THERE ON IS TO BE TREATED AS CONFIDENTIAL. IT IS NOT BE USED, COPIED WHOLLY OR IN PART, NOR DISCLOSED TO OUTSIDE PARTIES WITHOUT OUR PRIOR AUTHORITY IN WRITING.

150mm frame for Weatherbaord etc.



177mm frame for Brick Veneer etc.



This is a guide only & to be read in conjunction with AS 1288-2006 - Glass in Buildings-Selection & installation

PLEASE ENSURE THAT FRAMES ARE PLUMB AND DIAGONALS ARE EQUAL BEFORE FINAL FIXING. FAILURE TO COMPLY MAY RESULT IN THE DOOR NOT LOCKING PROPERLY.



57-59 Canterbury Road, Montrose.
P.O. Box 32, Montrose, VIC. 3765
Telephone. (03) 9728 3999
Facsimile... (03) 9728 3555
Email. sales@miglas.com.au
Web. www.miglas.com.au

DWG NUMBER

MIG011

DETAIL

**Bi-Fold Door
Head Details**

Drawn

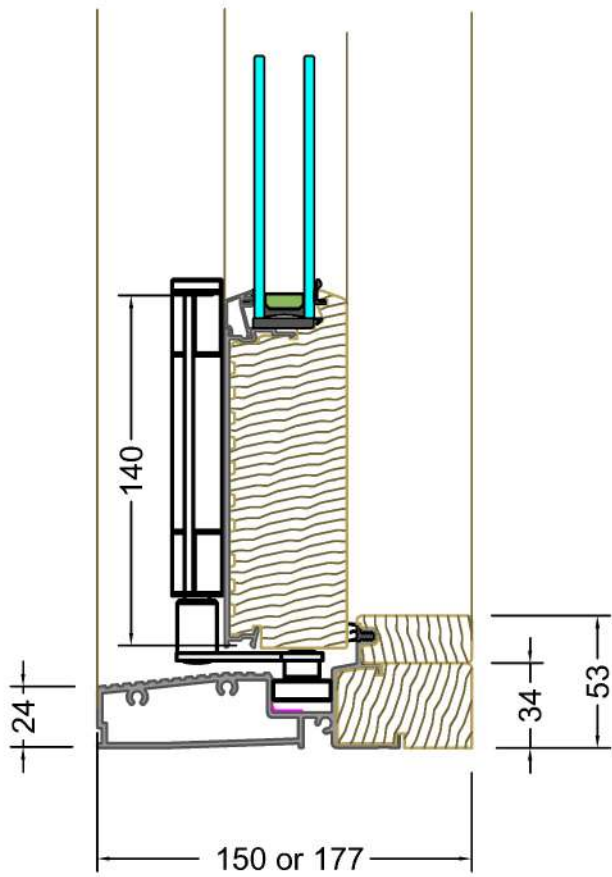
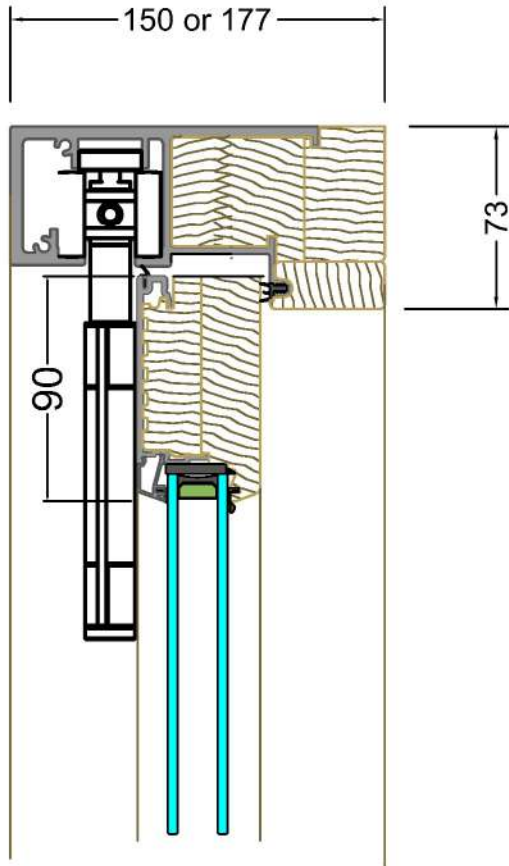
P.N.

Scale

NTS

THIS DRAWING IS THE PROPERTY OF MIGLAS AUSTRALIA PTY. LTD. THE INFORMATION THERE ON IS TO BE TREATED AS CONFIDENTIAL. IT IS NOT BE USED, COPIED WHOLLY OR IN PART, NOR DISCLOSED TO OUTSIDE PARTIES WITHOUT OUR PRIOR AUTHORITY IN WRITING

BI-FOLD DOOR HEAD IS TO BE SECURELY FIXED TO A BEAM OR LINTOL SEE MIG 011



PLEASE ENSURE THAT FRAMES ARE PLUMB AND DIAGONALS ARE EQUAL BEFORE FINAL FIXING. FAILURE TO COMPLY MAY RESULT IN THE DOOR NOT LOCKING PROPERLY.

This is a guide only & to be read in conjunction with AS 1288-2006 - Glass in Buildings-Selection & installation



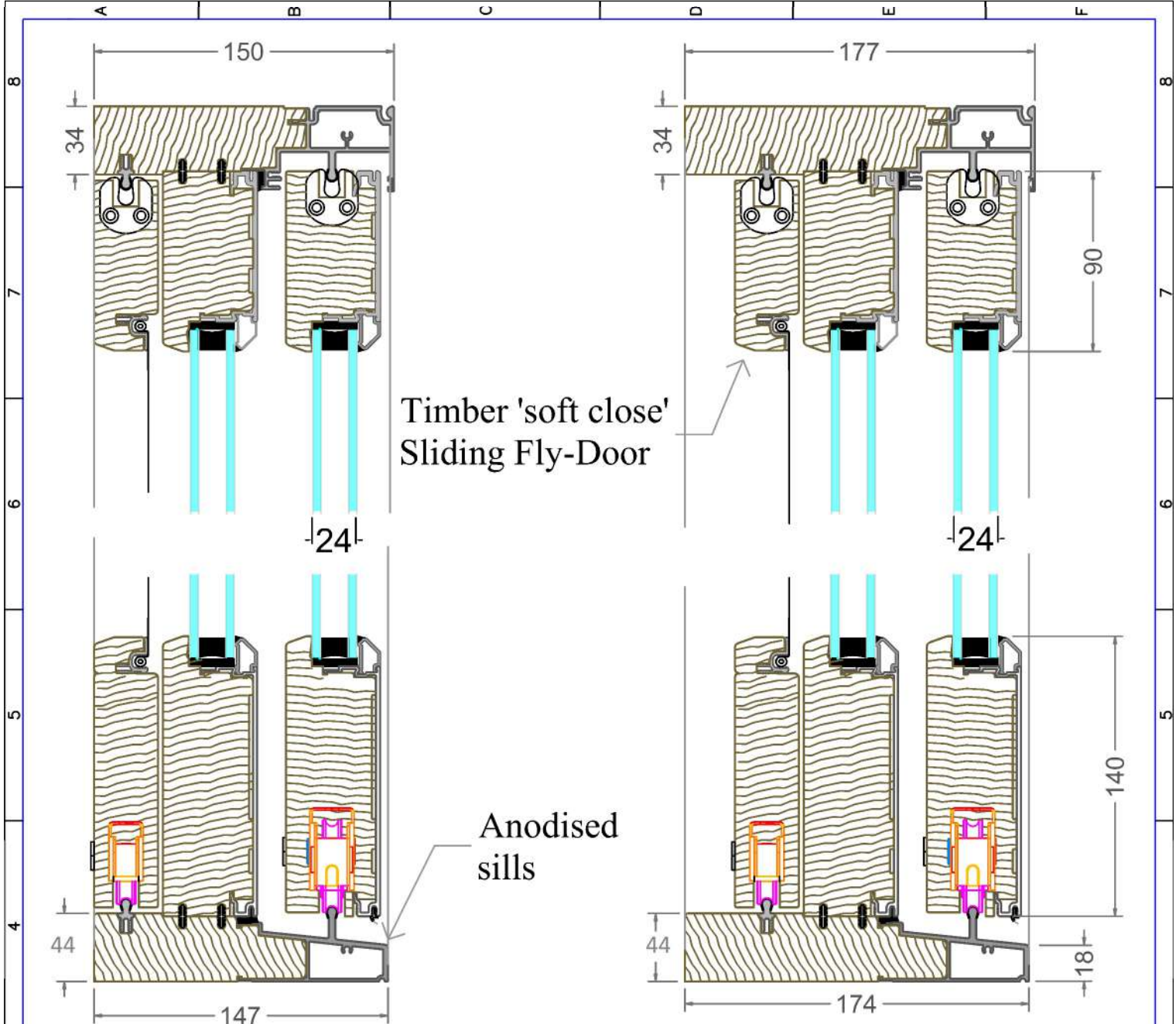
57-59 Canterbury Road, Montrose.
 P.O. Box 32, Montrose, VIC. 3765
 Telephone. (03) 9728 3999
 Facsimile... (03) 9728 3555
 Email. sales@miglas.com.au
 Web. www.miglas.com.au

DWG NUMBER **MIG012**

THIS DRAWING IS THE PROPERTY OF MIGLAS AUSTRALIA PTY. LTD. THE INFORMATION THERE ON IS TO BE TREATED AS CONFIDENTIAL. IT IS NOT BE USED, COPIED WHOLLY OR IN PART, NOR DISCLOSED TO OUTSIDE PARTIES WITHOUT OUR PRIOR AUTHORITY IN WRITING

DETAIL
Bi-Fold Door Head /Sill Details

Drawn
 P.N.
 Scale
 NTS



NOTE

It is important that the sill is supported along its entire length & width to limit deflection or bowing of the sill.

NOTE

It is important that the sill is supported along its entire length & width to limit deflection or bowing of the sill.

PLEASE ENSURE THAT FRAMES ARE PLUMB AND DIAGONALS ARE EQUAL BEFORE FINAL FIXING. FAILURE TO COMPLY MAY RESULT IN THE DOOR NOT LOCKING or SLIDING PROPERLY.

This is a guide only & to be read in conjunction with AS 1288-2006 - Glass in Buildings-Selection & installation

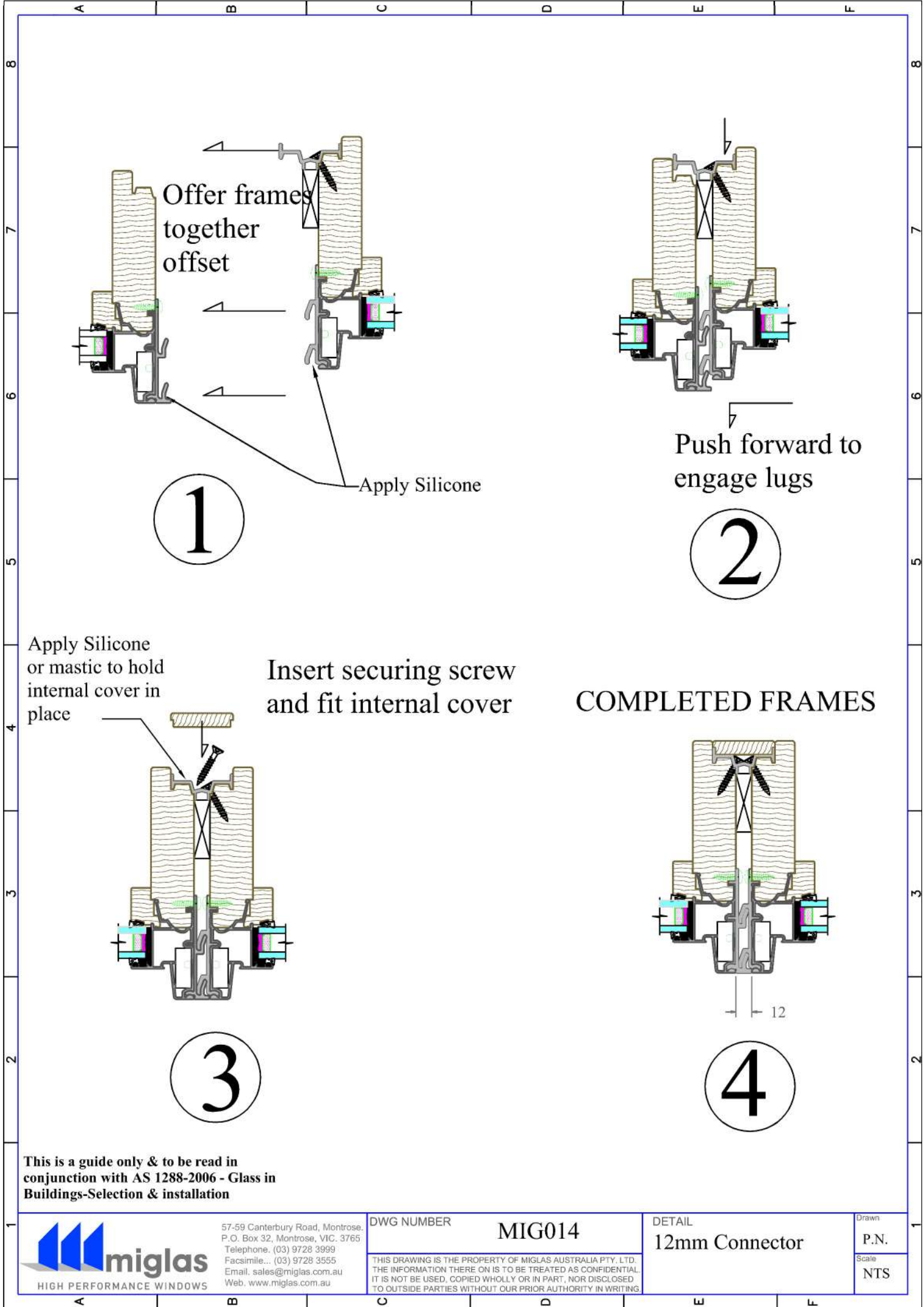


57-59 Canterbury Road, Montrose, P.O. Box 32, Montrose, VIC, 3765
 Telephone. (03) 9728 3999
 Facsimile... (03) 9728 3555
 Email. sales@miglas.com.au
 Web. www.miglas.com.au

DWG NUMBER **MIG013**
 THIS DRAWING IS THE PROPERTY OF MIGLAS AUSTRALIA PTY. LTD. THE INFORMATION THERE ON IS TO BE TREATED AS CONFIDENTIAL. IT IS NOT BE USED, COPIED WHOLLY OR IN PART, NOR DISCLOSED TO OUTSIDE PARTIES WITHOUT OUR PRIOR AUTHORITY IN WRITING

DETAIL
Sliding Door Head /Sill Details

Drawn
 P.N.
 Scale
 NTS



1

Offer frames together offset

Apply Silicone

2

Push forward to engage lugs

Insert securing screw and fit internal cover

Apply Silicone or mastic to hold internal cover in place

3

COMPLETED FRAMES

4

12

This is a guide only & to be read in conjunction with AS 1288-2006 - Glass in Buildings-Selection & installation



57-59 Canterbury Road, Montrose.
 P.O. Box 32, Montrose, VIC. 3765
 Telephone. (03) 9728 3999
 Facsimile... (03) 9728 3555
 Email. sales@miglas.com.au
 Web. www.miglas.com.au

DWG NUMBER

MIG014

DETAIL

12mm Connector

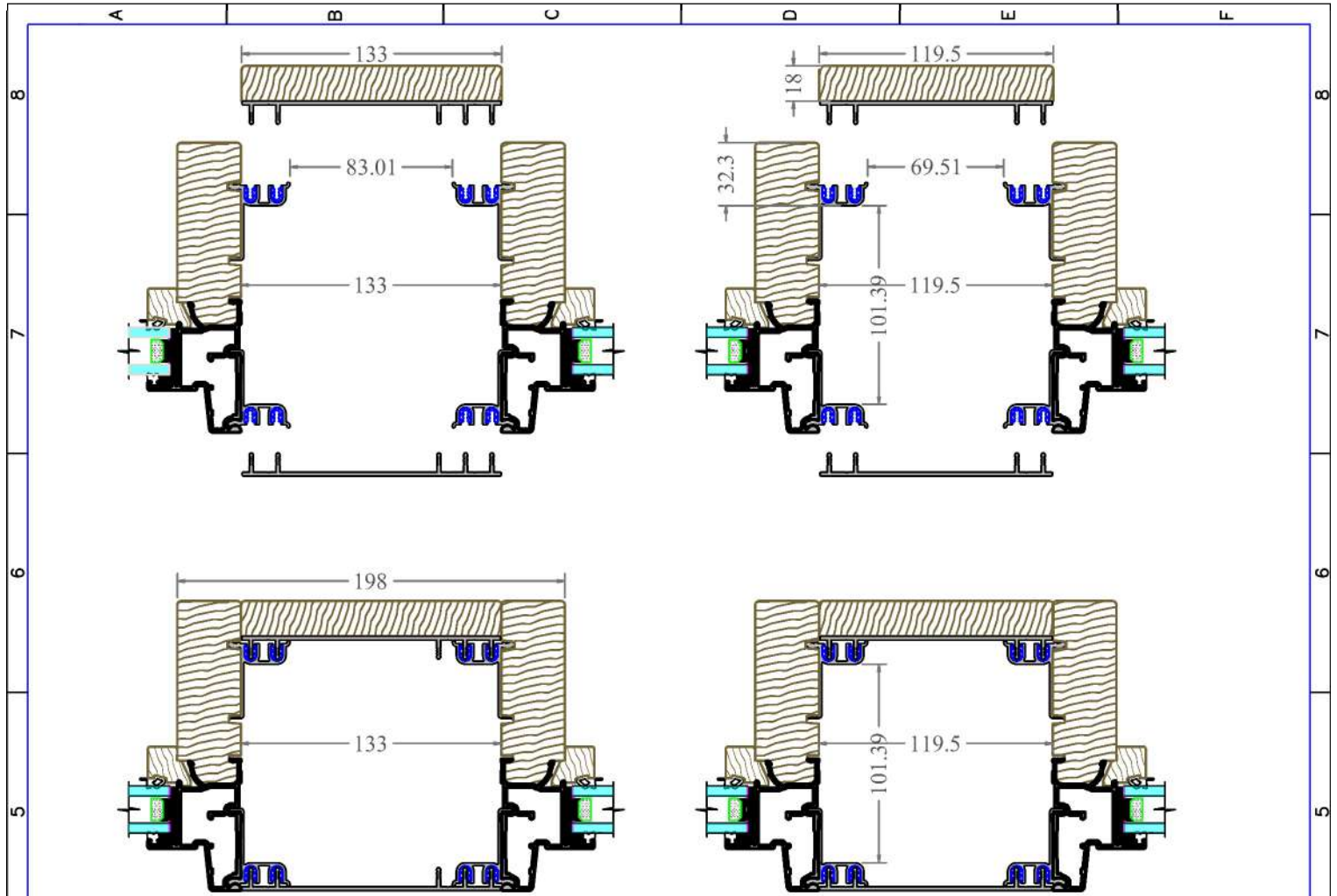
Drawn

P.N.

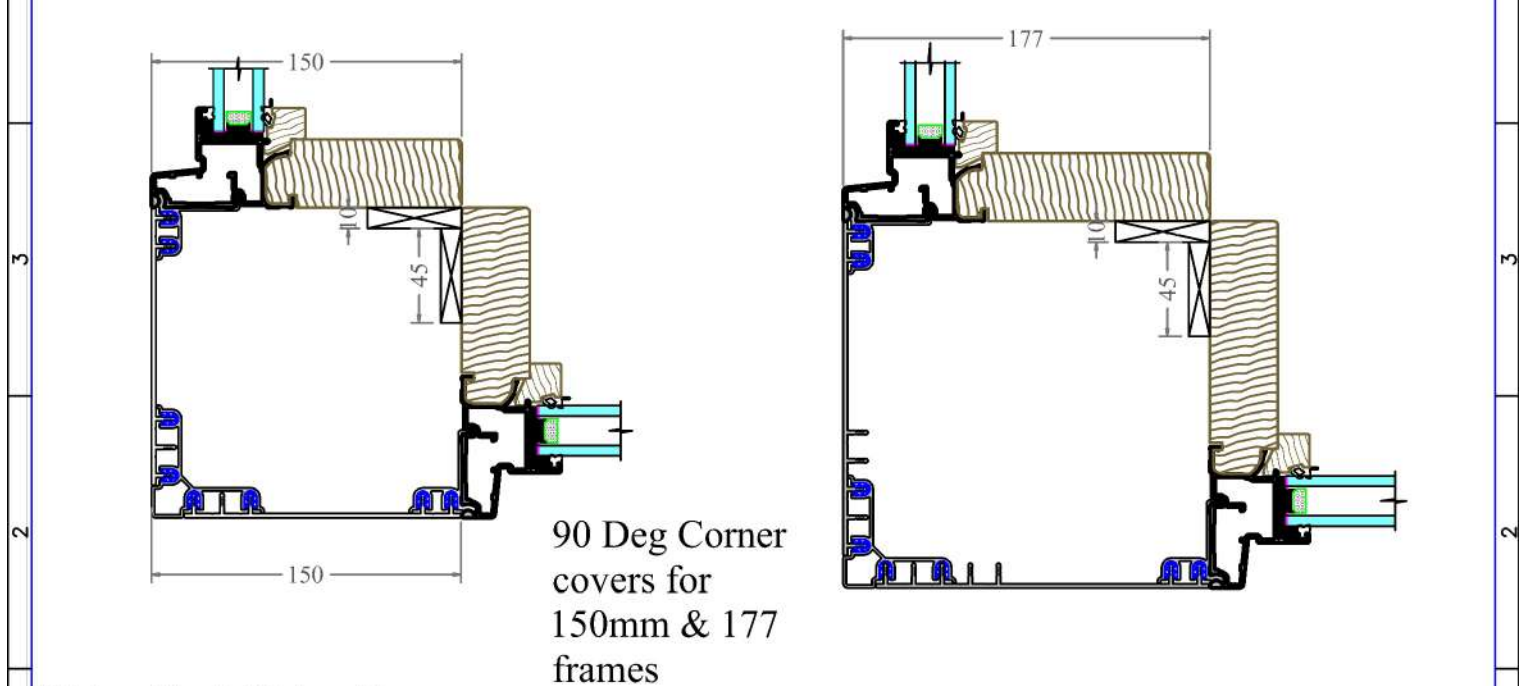
Scale

NTS

THIS DRAWING IS THE PROPERTY OF MIGLAS AUSTRALIA PTY. LTD.
 THE INFORMATION THERE ON IS TO BE TREATED AS CONFIDENTIAL.
 IT IS NOT BE USED, COPIED WHOLLY OR IN PART, NOR DISCLOSED
 TO OUTSIDE PARTIES WITHOUT OUR PRIOR AUTHORITY IN WRITING



Straight covers between posts.
 Other widths available - 51mm,
 78mm, 106mm & 147mm



90 Deg Corner
 covers for
 150mm & 177
 frames

This is a guide only & to be read in
 conjunction with AS 1288-2006 - Glass in
 Buildings-Selection & installation



57-59 Canterbury Road, Montrose,
 P.O. Box 32, Montrose, VIC. 3765
 Telephone. (03) 9728 3999
 Facsimile... (03) 9728 3555
 Email. sales@miglas.com.au
 Web. www.miglas.com.au

DWG NUMBER

MIG015

DETAIL

Straight &
 Corner Covers

Drawn

P.N.

Scale

NTS

THIS DRAWING IS THE PROPERTY OF MIGLAS AUSTRALIA PTY. LTD.
 THE INFORMATION THERE ON IS TO BE TREATED AS CONFIDENTIAL.
 IT IS NOT BE USED, COPIED WHOLLY OR IN PART, NOR DISCLOSED
 TO OUTSIDE PARTIES WITHOUT OUR PRIOR AUTHORITY IN WRITING



MIGLAS DOUBLE-GLAZED ALI-CLAD TIMBER WINDOWS...

..with a powder coated aluminium exterior that never needs painting!
Eco-friendly comfort in all components – combining energy efficiency
and low maintenance for truly high performance.

Stay up to date with the latest information and product news visit our homepage www.bushfirewindows.com.au

CALL Miglas today on
(03) 9728 3999

Visit our showroom at:
57-59 Canterbury Road/Montrose/VIC (Mel ref 51 K8)/3765 Australia/www.miglas.com.au

This Brochure features an extensive range of Miglas products that are generally available at the time of print. Miglas's passion for constant innovation and improvements means that designs, dimensions, and options may alter without notice.