

Miglas Automation

Options

Installation & Maintenance

Automation means convenience!

Miglas AliClad (timber windows with durable exterior aluminium cladding) can be automated.

- long life
- strong chain
- low maintenance
- smooth and easy operation
- non-visible installation
- for daily ventilation



The following guide line is designed to support both builder and user to install and maintain the product properly.

The German engineered, manufactured and certified products are the perfect choice for inaccessible windows and centralised managed buildings with automated natural ventilation.

If you need further information about automation feel free to contact the Miglas team. We are able to help with automation for different applications.

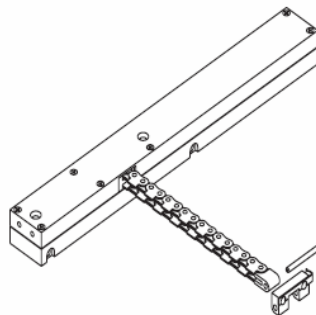
Electric Chain Winder

Area of Application:

bottom-hung, top-hung and skylights

Features:

- for top and hidden mounting\
- automatic switch off when end stop is reached
- overload protection
- tight closing electronically defined pressing force
- corrosion free external elements
- drive mechanism with reduced depth
- type approved technical safety (TUV Germany)



Sustainable Design & Component Excellence
-A true comfort experience

- Residential
- Commercial
- Coastal
- Bushfire
- City

A complete range of...

Windows

- ...Awning
- ...Casement
- ...Customized

Doors

- ... Bifolds,
- ... Sliding,
- ... French,
- ... Entry

miglas

DOUBLE-GLAZED TIMBER WINDOWS... with a powder coated aluminium exterior that never needs painting!
Eco-friendly comfort in all components – combining energy efficiency and low maintenance for truly high performance.

Call **miglas** today on

(03) 9728 3999

or visit our showroom at
57-59 Canterbury Road,
Montrose, Victoria
(Mel ref. 51 K8)

www.miglas.com.au

Installation, Maintenance & Safety

Technical Data

Type	Throw	Power Supply	Power Consumption	Type of Connection	Opening / Closing force	Dimensions Height x Depth X Length
Chain 350-AC	350 mm	240 V AC	0.15 A	4-wire	200N	30 x 41 x 360 mm

Miglas use a special type of open winders for their awning windows. They replace the non-automated Truht hardware and open the window to the same



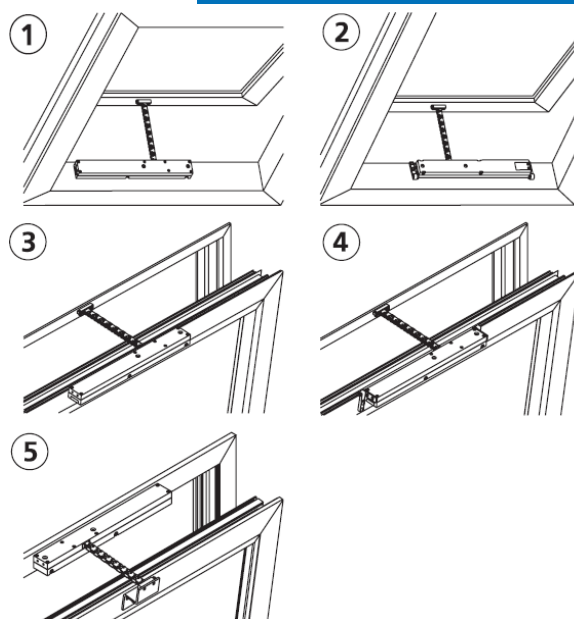
Caution: Risk of injury during installation! Read "Safety Instructions" carefully.

Installation Options

Miglas windows come with pre-installed, hidden window winders. Please refer to "electric installation" (p.3) for further details.

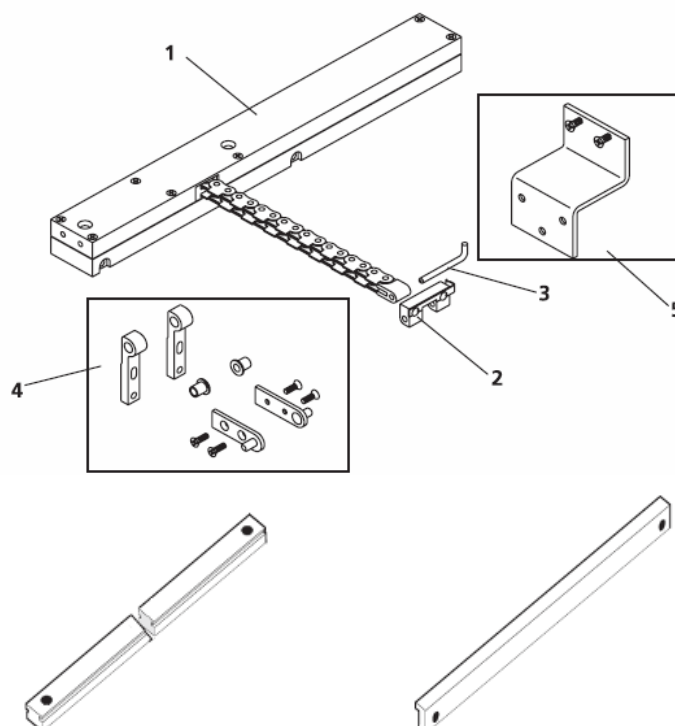
If you received the system as an uninstalled unit you have the following options:

- ① Skylight or awning – fixed mounting (inside frame)
- ② Skylight or awning – with angle brackets (inside frame)
- ③ Tilt or awning window – fixed mounting (sash mounted)
- ④ Tilt or awning window – with angle brackets (sash mounted)
- ⑤ Tilt or awning window - frame mounted



Package Content (if not in Miglas Product)

- 1 electric motor unit
- 2 hinge bracket
- 3 mounting pin
- 4 mounting accessories (angle brackets)
- 5 frame mounting accessories (for sash)
- 6 mounting profiles



Installation, Maintenance & Safety

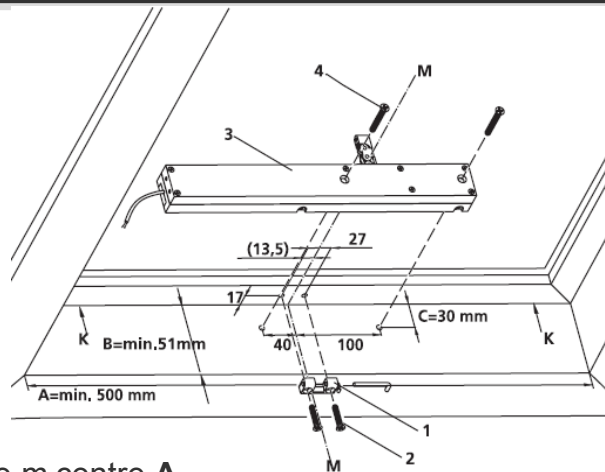
① Mounting Skylights & Awning (inside frame)

Check minimum spacing

- A. Inside width of frame
- B. Width of contact area/ motor
- C. Distance to sash

Positioning

Mark edge of frame **k** on sash, mark centre of frame **m** centre **A** and transfer to frame. Mark out and drill mounting holes for hinge bracket on the sash.



Attaching

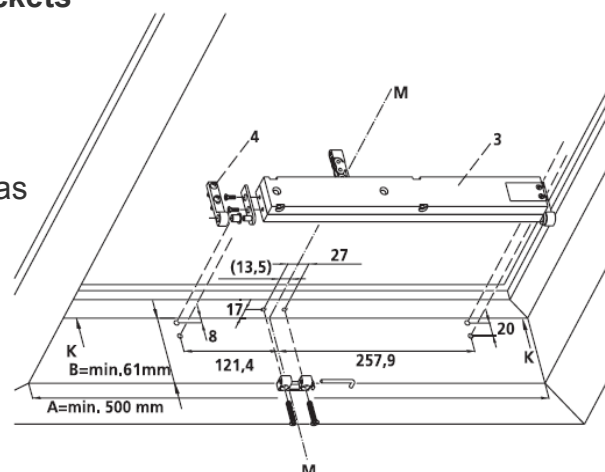
Attach hinge bracket **1** on sash using screws **2**.
See: "Electric Installation" for wiring.
Attach motor **3** on frame (sill) using screws **4**.

② Mounting Skylights & Awning with angle brackets (inside frame)

See ① and motor adjustment

Mark out and drill mounting holes for the bracket set on frame. Connect angle brackets at the motor as shown in drawing.

Attach hinge bracket **1** on sash using screws **2**.
See: "Electric Installation" for wiring.
Attach motor **3** on frame (sill) using screws **4**.



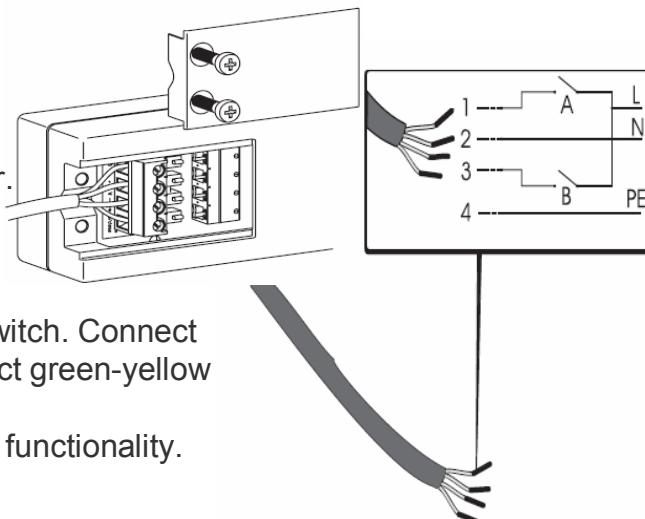
Electric Installation



Caution: Installation by qualified electricians to avoid damages on the window motor.

Attention: 230-240 AC/50Hz alternating current! Other voltage will damage motor.

Note: The 4-wire connection is pre-mounted.



Connect black cable **1** to OPEN wall switch.
Connect brown cable **3** to CLOSE wall switch. Connect grey cable **2** to neutral conductor. Connect green-yellow cable **4** to earth.

Ensure sufficient room to allow testing - check functionality.
Close switch/ junction box.